

**TABLE OF CONTENTS**

Refer to Section 4.14 for standard Spandrel Beam Details

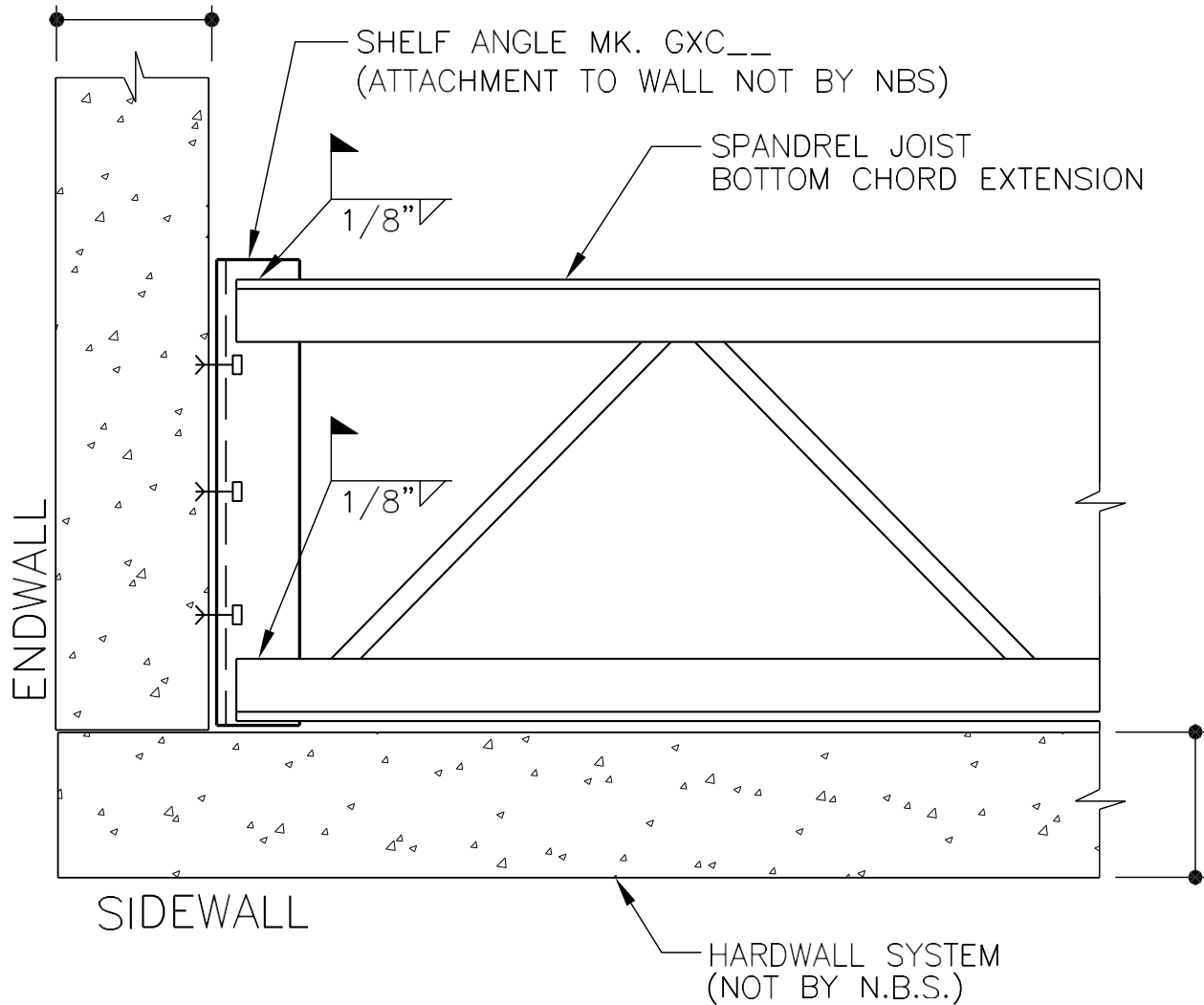
<b>A: SIDEWALL STRUCTURAL CONDITIONS .....</b>	<b>3</b>
KA6005 – Spandrel Joist Connection at Corner .....	3
Non-Parapet – Joist Truss Details .....	4
KA6010 – Joists, CFR by NBS (non-diaphragm) .....	4
KA6020 – Joists, Roof not by NBS (non-diaphragm) .....	5
KA6030 – Joists, Roof not by NBS (with diaphragm) .....	6
Parapet Details .....	7
KA6040 – Joists, CFR by NBS (non-diaphragm) .....	7
KA6042 – Joists, CFR by NBS (non-diaphragm) .....	8
KA6044 – Purlins, CFR by NBS (non-diaphragm) .....	9
KA6046 – Purlins, CFR by NBS (non-diaphragm) .....	10
KA6050 – Joists, Roof not by NBS (non-diaphragm) .....	11
KA6052 – Joists, Roof not by NBS (non-diaphragm) .....	12
KA6054 – Purlins, Roof not by NBS (non-diaphragm) .....	13
KA6056 – Purlins, Roof not by NBS (non-diaphragm) .....	14
Non-Parapet Eave Beam Details .....	15
KA6060 – Joists, CFR by NBS (non-diaphragm) .....	15
KA6070 – Joists, Roof not by NBS (non-diaphragm) .....	16
KA6080 – Purlins, CFR by NBS (non-diaphragm) .....	17
KA6090 – Purlins, Roof not by NBS (non-diaphragm) .....	18
KA6100 – Purlins, Roof not by NBS (with diaphragm) .....	19
KA6110 – Purlins, CFR by NBS (non-diaphragm) .....	20
KA6120 – Purlins, Roof not by NBS (non-diaphragm) .....	21
KA6130 – Joists, Roof not by NBS (With-diaphragm) .....	22
KA6140 – Purlins, Roof not by NBS (With-diaphragm) .....	23
<b>B: ENDWALL STRUCTURAL CONDITIONS .....</b>	<b>24</b>
BO0300 – ENDWALL RAKE ANGLE WITH PURLINS .....	24
BO0310 – ENDWALL RAKE ANGLE WITH JOIST (LIGHT LOADING) .....	25
BO0320 – ENDWALL RAKE ANGLE WITH JOIST (HEAVY LOADING) .....	26
BO0500- PURLIN (STD RAKE OR RAKE PARAPET) .....	27
BO0520- JOIST (BOLTED) .....	28
BO0530 – JOIST (WELDED) .....	29

<b>C: ENDWALL SHEETING CONDITIONS .....</b>	<b>30</b>
Non-Parapet – Joist Details .....	30
KC6010 – CFR by NBS.....	30
KC6020 – Roof not by NBS.....	31
Parapet – Joist Details .....	32
KC6030 – CFR by NBS.....	32
KC6040 – Roof not by NBS.....	33
Non-Parapet – Purlin Details .....	34
KC6050 – CFR by NBS.....	34
KC6060 – Roof not by NBS.....	35
Parapet – Purlin Details.....	36
KC6070 – CFR by NBS.....	36
KC6080 – Roof not by NBS.....	37
<b>D: HIGH EAVE SCULPTURED CONDITIONS .....</b>	<b>38</b>
KD6010 – Joists, CFR, Joist Strut (Non-Diaphragm) .....	38
KD6020 – Joists, CFR, BU Strut (Non-Diaphragm).....	39
KD6040 – Purlins, CFR, BU Strut (Non-Diaphragm).....	40
KD6050 – Joists , Roof not by NBS, Joist Strut (Non-Diaphragm) .....	41
KD6060 – Joists, Roof not by NBS, BU Strut (Non-Diaphragm) .....	42
KD6080 – Purlins, Roof not by NBS, BU Strut (Non-Diaphragm).....	43
KD6090 – Joists, Roof not by NBS, Joist Strut (With-Diaphragm) .....	44
KD6100 – Joists, Roof not by NBS, BU Strut (With Diaphragm) .....	45
KD6120 – Purlins, Roof not by NBS, BU Strut (With-Diaphragm) .....	46
<b>E: HIGH EAVE PARAPET CONDITIONS.....</b>	<b>47</b>
KE6010 – (4) Joists, CFR, Joist Strut (Non-Diaphragm) .....	47
KE6020 – (4) Joists, CFR, BU Strut (Non-Diaphragm).....	48
KE6040 – (4) Purlins, CFR, BU Strut (Non-Diaphragm).....	49
KE6050 – (4) Joists , Roof not by NBS, Joist Strut (Non-Diaphragm).....	50
KE6060 – (4) Joists, Roof not by NBS, BU Strut (Non-Diaphragm) .....	51
KE6080 – (4) Purlins, Roof not by NBS, BU Strut (Non-Diaphragm) .....	52
KE6090 – (4) Joists, Roof not by NBS, Joist Strut (With-Diaphragm) .....	53
KE6100 – (4) Joists, Roof not by NBS, BU Strut (With Diaphragm).....	54
KE6120 – (4) Purlins, Roof not by NBS, BU Strut (With-Diaphragm).....	55

Refer to Section 4.14 for standard Spandrel Beam Details

**A: SIDEWALL STRUCTURAL CONDITIONS**

**KA6005 – SPANDREL JOIST CONNECTION AT CORNER**

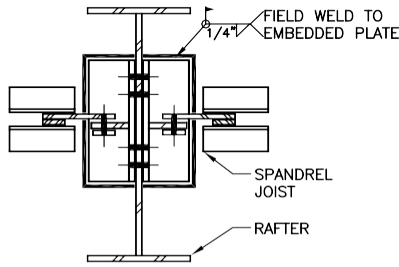


**SPANDREL JOIST AT CORNER**

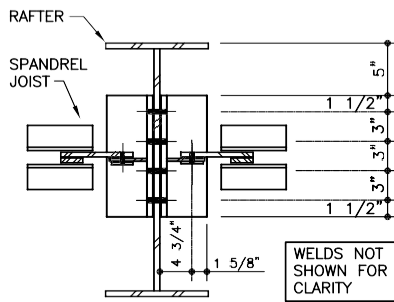
**KA6005**

**NON-PARAPET – JOIST TRUSS DETAILS**

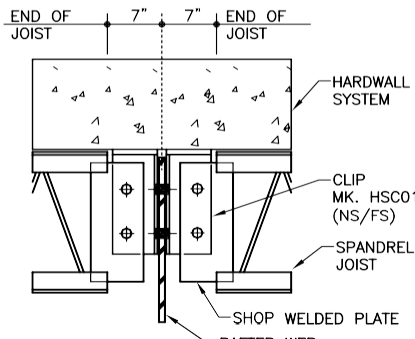
**KA6010 – JOISTS, CFR BY NBS (NON-DIAPHRAGM)**



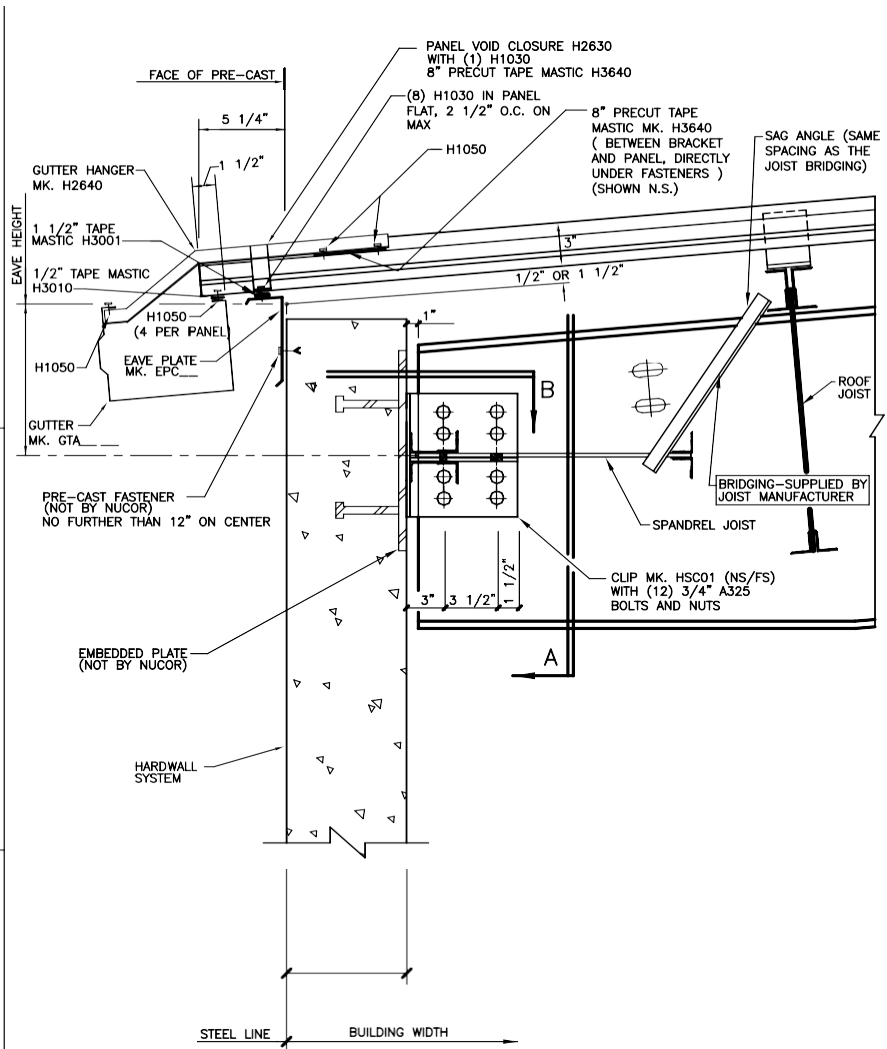
**SECTION A – WELD DETAIL**  
SEE DETAIL BELOW FOR DIMENSIONS



**TYPICAL DIMENSIONS**  
SEE SECTION-A ABOVE FOR WELDS



**SECTION B – JOIST DETAIL**  
RAFTER FLANGES NOT SHOWN FOR CLARITY

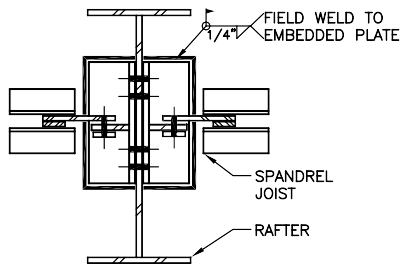


**LOAD BEARING PRE-CAST/TILT-UP DETAIL**  
NON-PARAPET JOIST TRUSS, CFR BY NBS (NON-DIAPHRAGM)

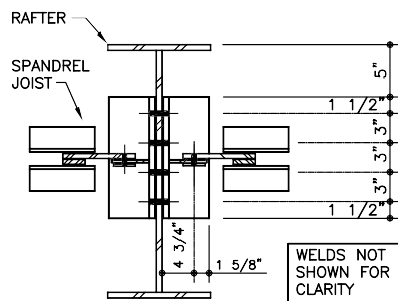
**KA6010**



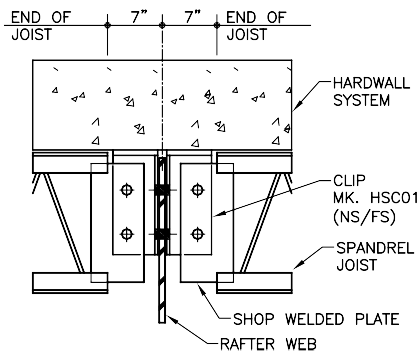
**KA6020 – JOISTS, ROOF NOT BY NBS (NON-DIAPHRAGM)**



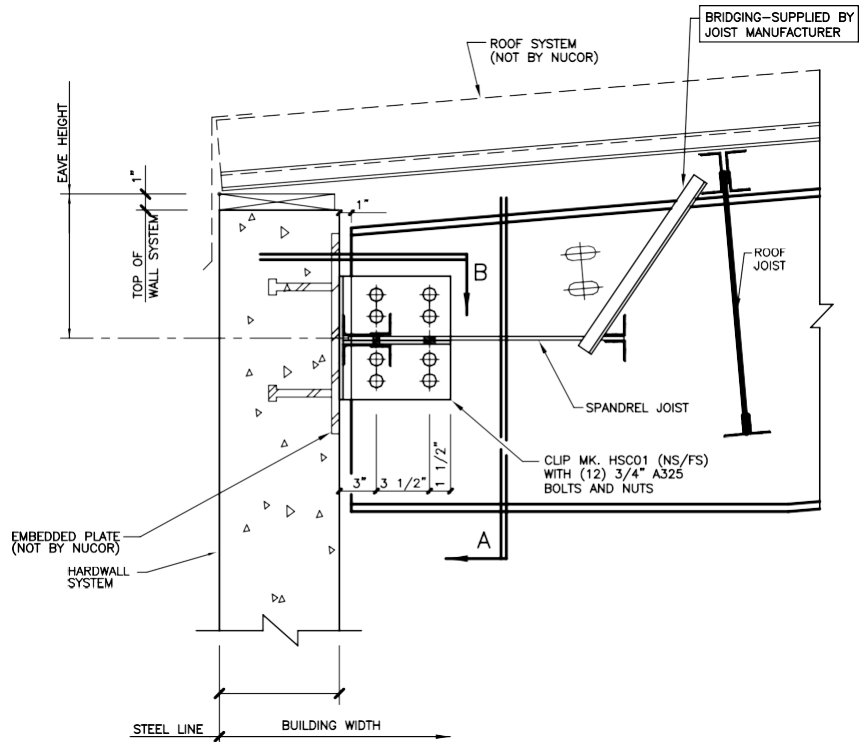
**SECTION A – WELD DETAIL**  
SEE DETAIL BELOW FOR DIMENSIONS



**TYPICAL DIMENSIONS**  
SEE SECTION-A ABOVE FOR WELDS



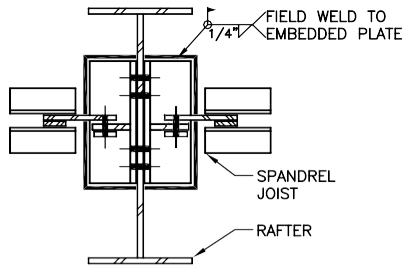
**SECTION B – JOIST DETAIL**  
RAFTER FLANGES NOT SHOWN FOR CLARITY



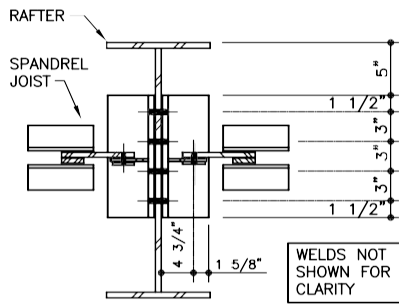
**LOAD BEARING PRE-CAST/TILT-UP DETAIL**  
NON-PARAPET JOIST TRUSS: ROOF NOT BY NBS (NON-DIAPHRAGM)

**KA6020**

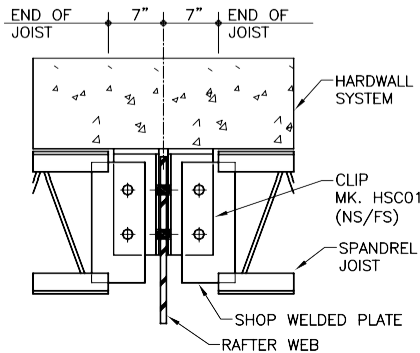
**KA6030 – JOISTS, ROOF NOT BY NBS (WITH DIAPHRAGM)**



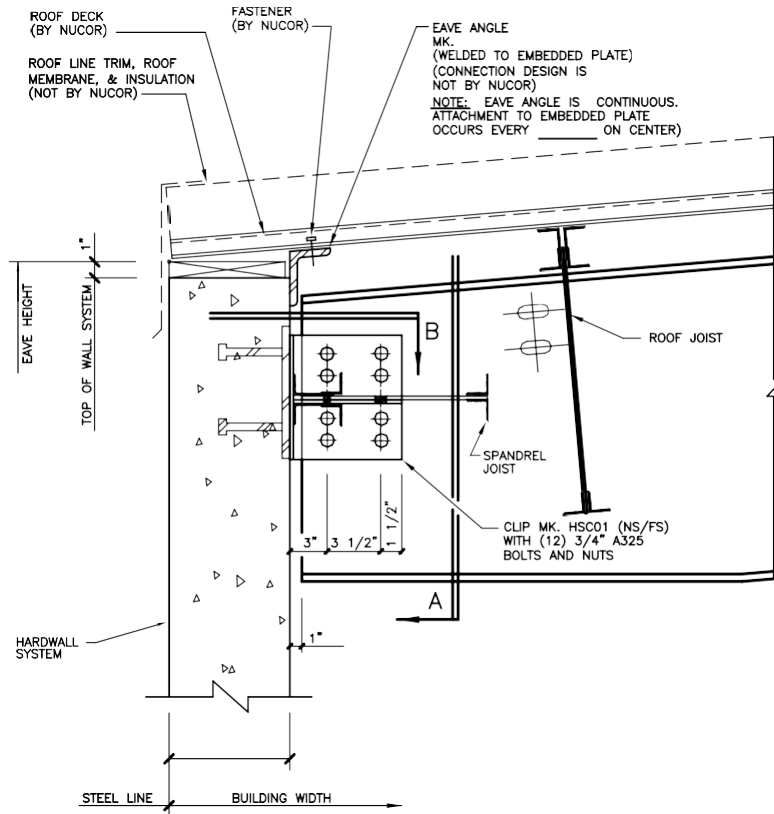
**SECTION A – WELD DETAIL**  
SEE DETAIL BELOW FOR DIMENSIONS



**TYPICAL DIMENSIONS**  
SEE SECTION-A ABOVE FOR WELDS



**SECTION B – JOIST DETAIL**  
RAFTER FLANGES NOT SHOWN FOR CLARITY

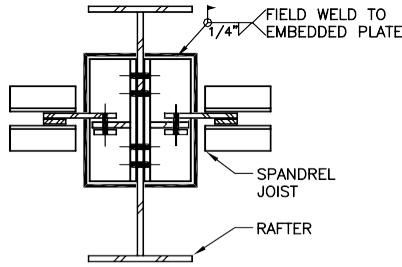


**LOAD BEARING PRE-CAST/TILT-UP DETAIL**  
NON-PARAPET: ROOF NOT BY NBS (WITH DIAPHRAGM)

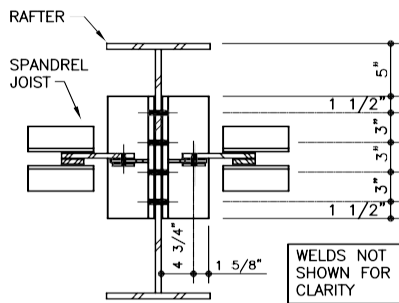
KA6030

**PARAPET DETAILS**

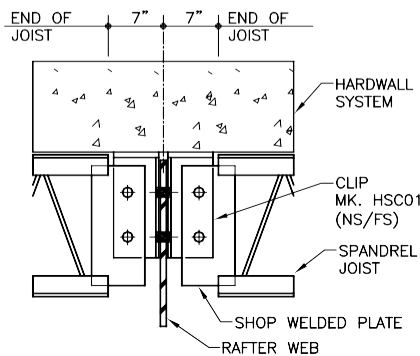
**KA6040 – JOISTS, CFR BY NBS (NON-DIAPHRAGM)**



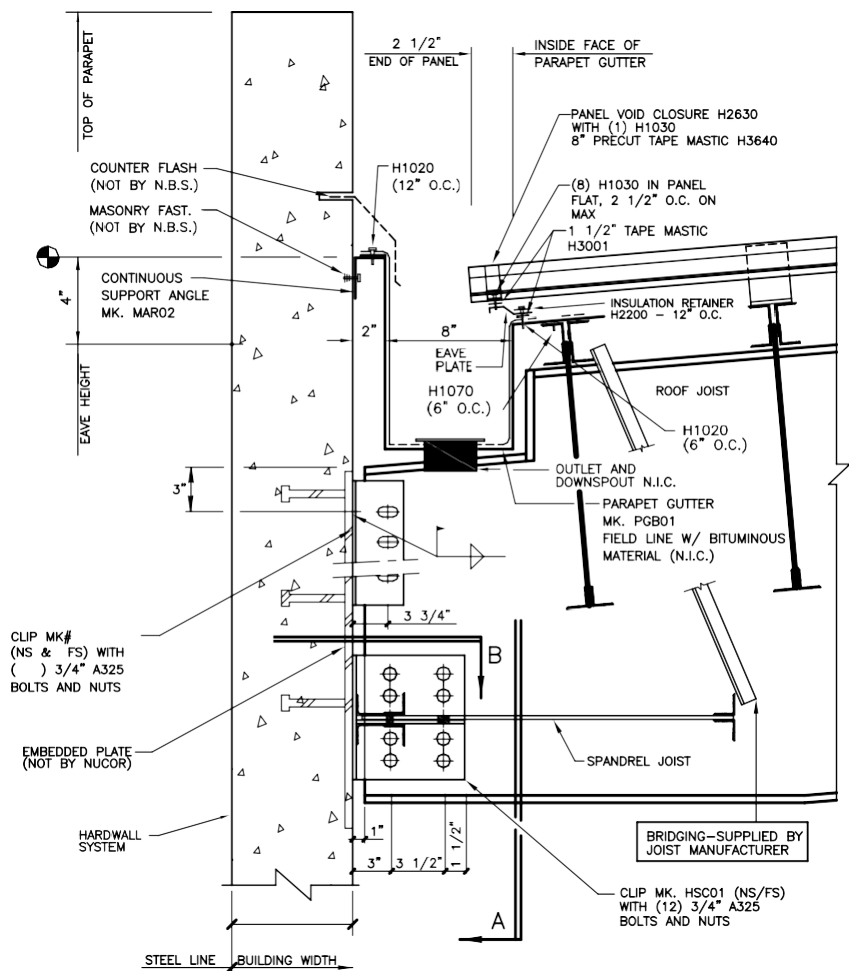
**SECTION A – WELD DETAIL**  
SEE DETAIL BELOW FOR DIMENSIONS



**TYPICAL DIMENSIONS**  
SEE SECTION-A ABOVE FOR WELDS



**SECTION B – JOIST DETAIL**  
RAFTER FLANGES NOT SHOWN FOR CLARITY

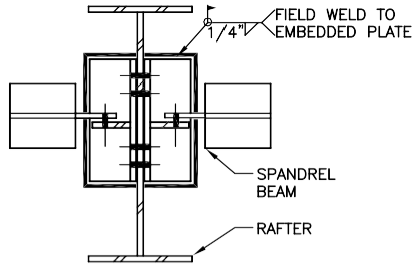


**LOAD BEARING PRE-CAST/TILT-UP DETAIL**

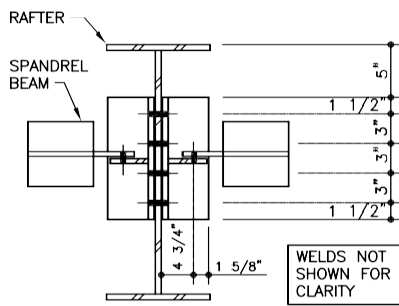
PARAPET JOIST TRUSS: CFR BY NBS (NON-DIAPHRAGM)  
REFERENCE WASHER DETAIL FOR TYPICAL WASHER REQUIREMENTS

**KA6040**

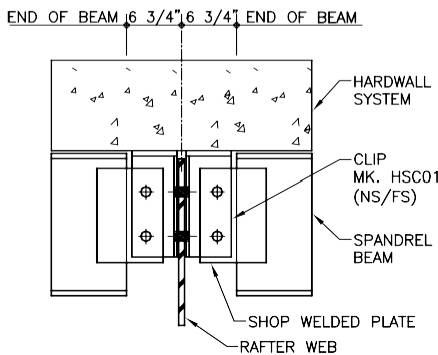
**KA6042 – JOISTS, CFR BY NBS (NON-DIAPHRAGM)**



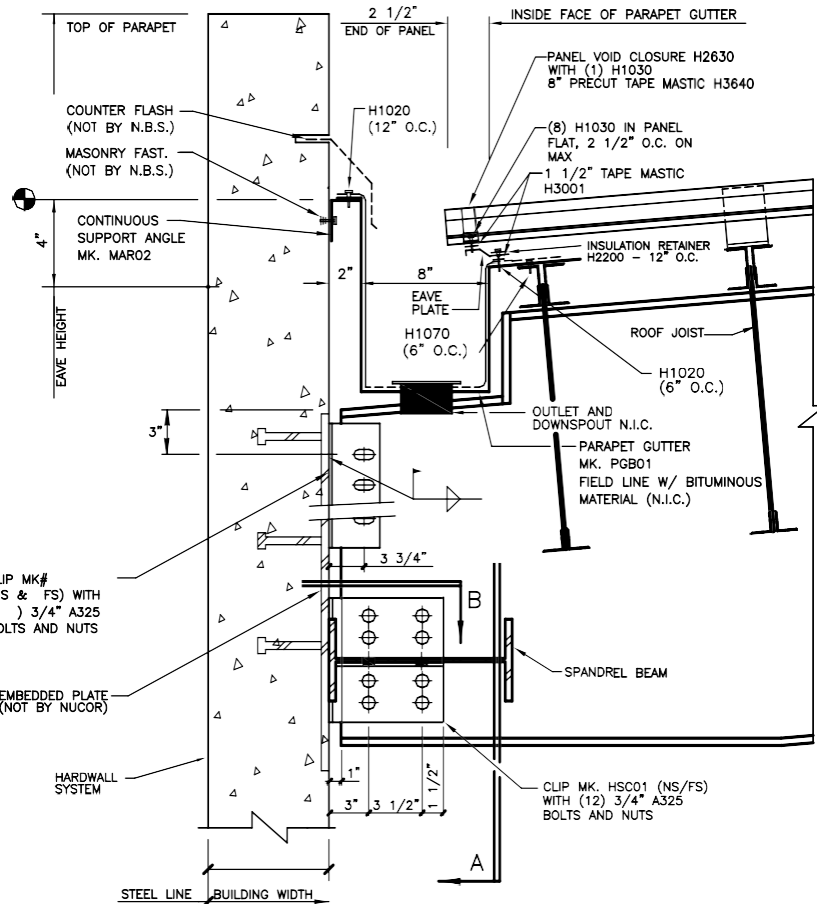
**SECTION A – WELD DETAIL**  
SEE DETAIL BELOW FOR DIMENSIONS



**TYPICAL DIMENSIONS**  
SEE SECTION-A ABOVE FOR WELDS



**SECTION B – BEAM DETAIL**  
RAFTER FLANGES NOT SHOWN FOR CLARITY



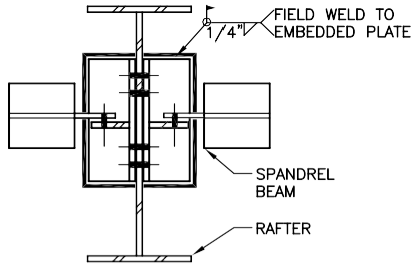
**LOAD BEARING PRE-CAST/TILT-UP DETAIL**

PARAPET SPANDREL BEAM: CFR BY NBS (NON-DIAPHRAGM)  
REFERENCE WASHER DETAIL FOR TYPICAL WASHER REQUIREMENTS

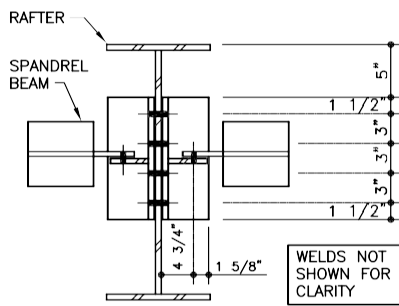
**KA6042**



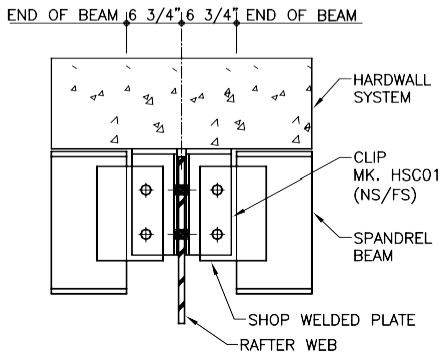
**KA6046 – PURLINS, CFR BY NBS (NON-DIAPHRAGM)**



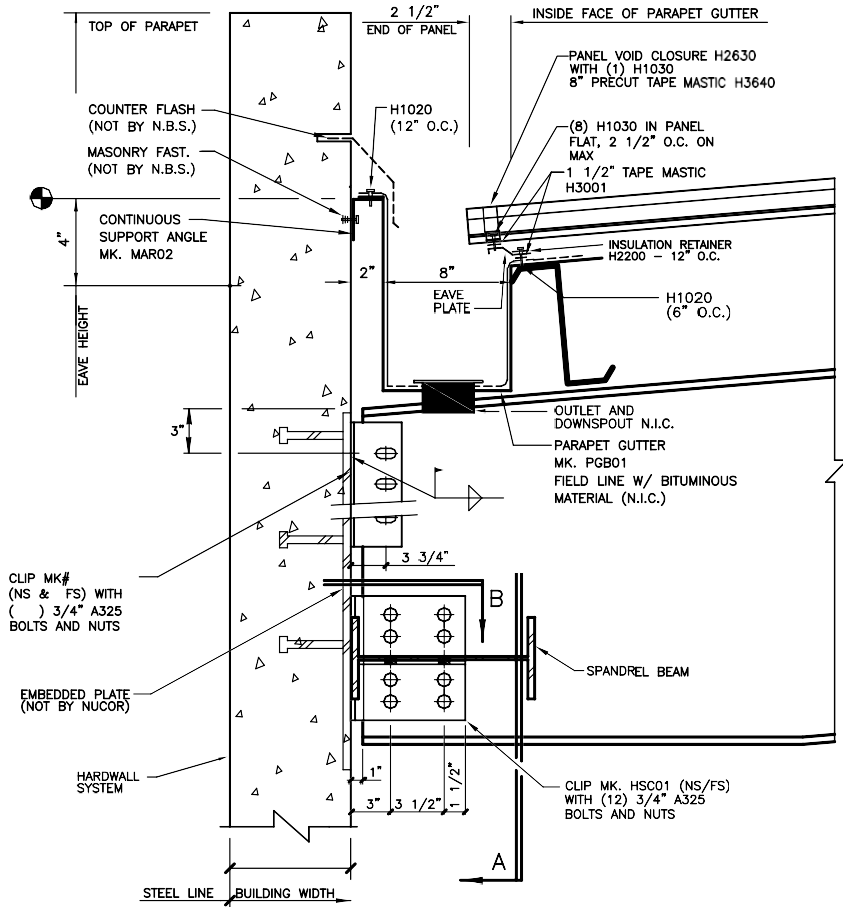
**SECTION A – WELD DETAIL**  
SEE DETAIL BELOW FOR DIMENSIONS



**TYPICAL DIMENSIONS**  
SEE SECTION-A ABOVE FOR WELDS



**SECTION B – BEAM DETAIL**  
RAFTER FLANGES NOT SHOWN FOR CLARITY

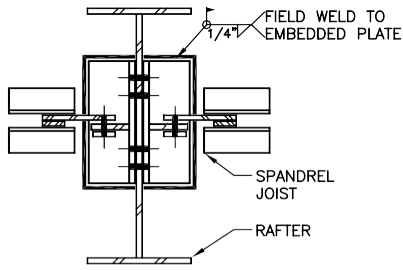


**LOAD BEARING PRE-CAST/TILT-UP DETAIL**

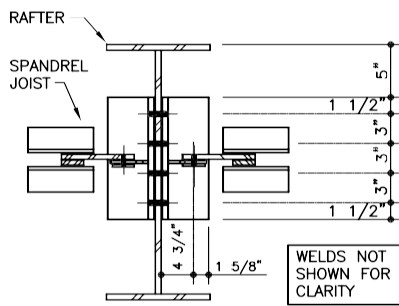
PARAPET SPANDREL BEAM: CFR BY NBS (NON-DIAPHRAGM)  
REFERENCE WASHER DETAIL FOR TYPICAL WASHER REQUIREMENTS

**KA6046**

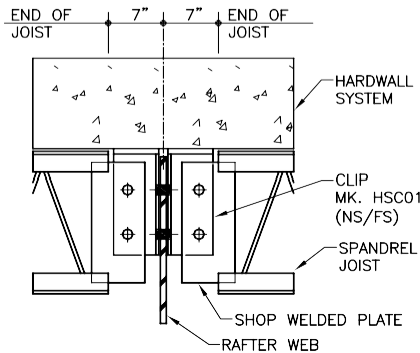
**KA6050 – JOISTS, ROOF NOT BY NBS (NON-DIAPHRAGM)**



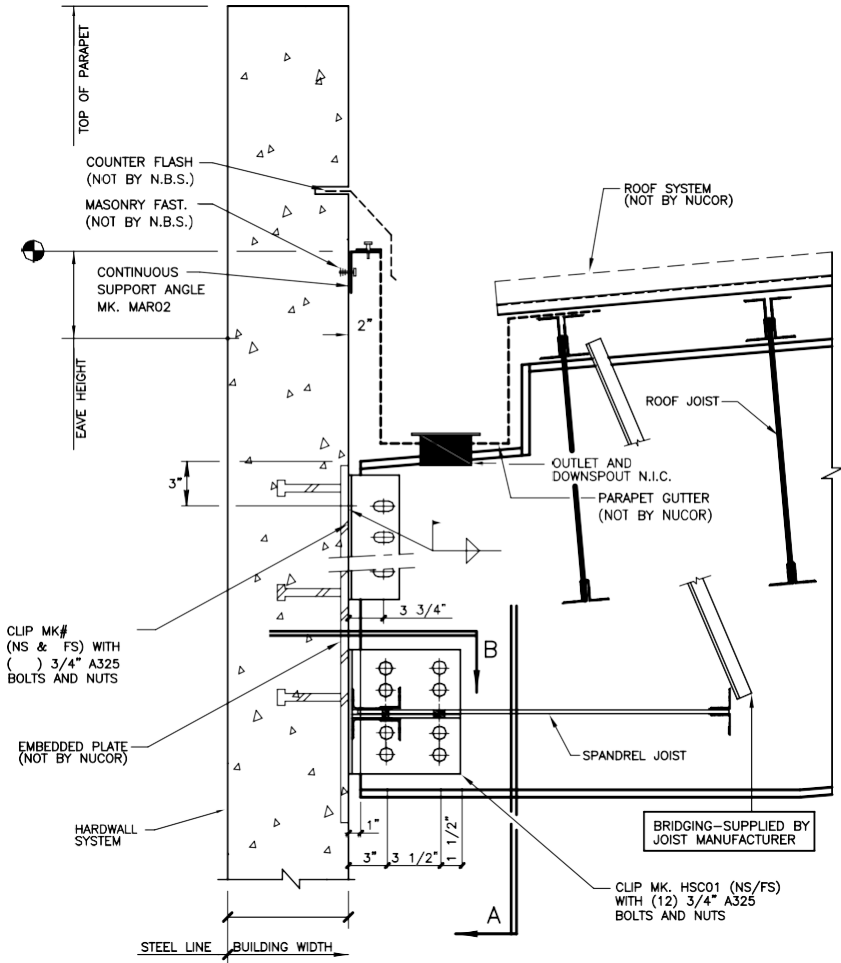
**SECTION A – WELD DETAIL**  
SEE DETAIL BELOW FOR DIMENSIONS



**TYPICAL DIMENSIONS**  
SEE SECTION-A ABOVE FOR WELDS



**SECTION B – JOIST DETAIL**  
RAFTER FLANGES NOT SHOWN FOR CLARITY



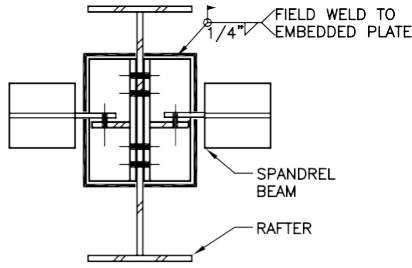
**LOAD BEARING PRE-CAST/TILT-UP DETAIL**

PARAPET JOIST TRUSS: CFR BY NBS (NON-DIAPHRAGM)  
REFERENCE WASHER DETAIL FOR TYPICAL WASHER REQUIREMENTS

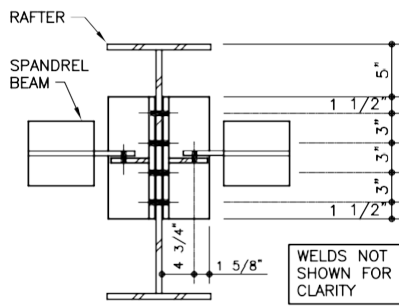
**KA6050**



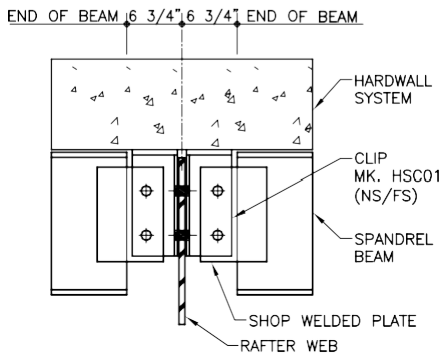
**KA6052 – JOISTS, ROOF NOT BY NBS (NON-DIAPHRAGM)**



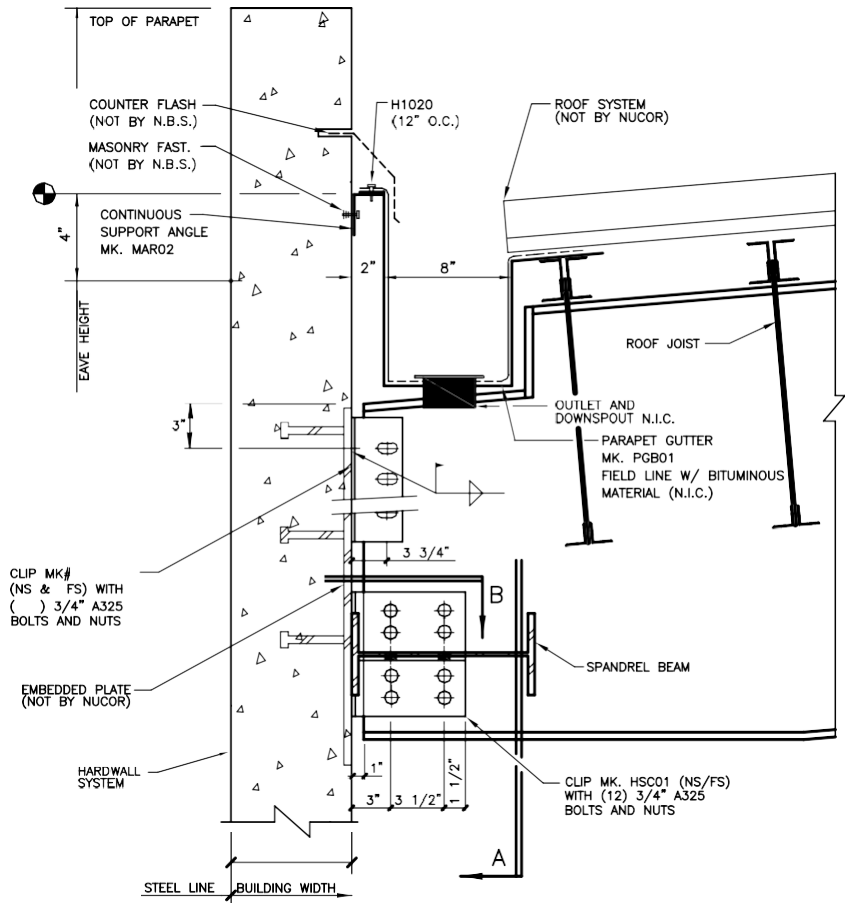
**SECTION A – WELD DETAIL**  
SEE DETAIL BELOW FOR DIMENSIONS



**TYPICAL DIMENSIONS**  
SEE SECTION-A ABOVE FOR WELDS



**SECTION B – BEAM DETAIL**  
RAFTER FLANGES NOT SHOWN FOR CLARITY

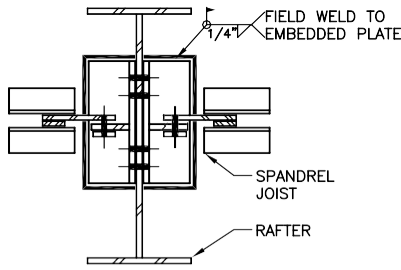


**LOAD BEARING PRE-CAST/TILT-UP DETAIL**

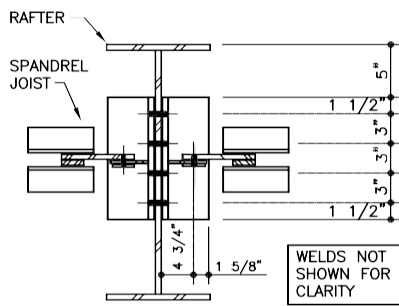
PARAPET SPANDREL BEAM: ROOF NOT BY NBS (NON-DIAPHRAGM)  
REFERENCE WASHER DETAIL FOR TYPICAL WASHER REQUIREMENTS

**KA6052**

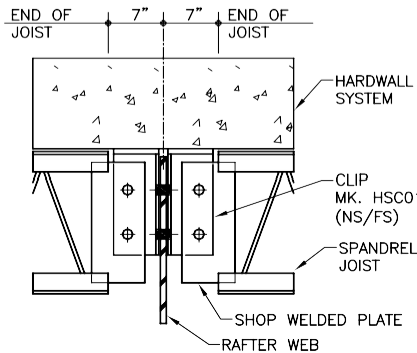
**KA6054 – PURLINS, ROOF NOT BY NBS (NON-DIAPHRAGM)**



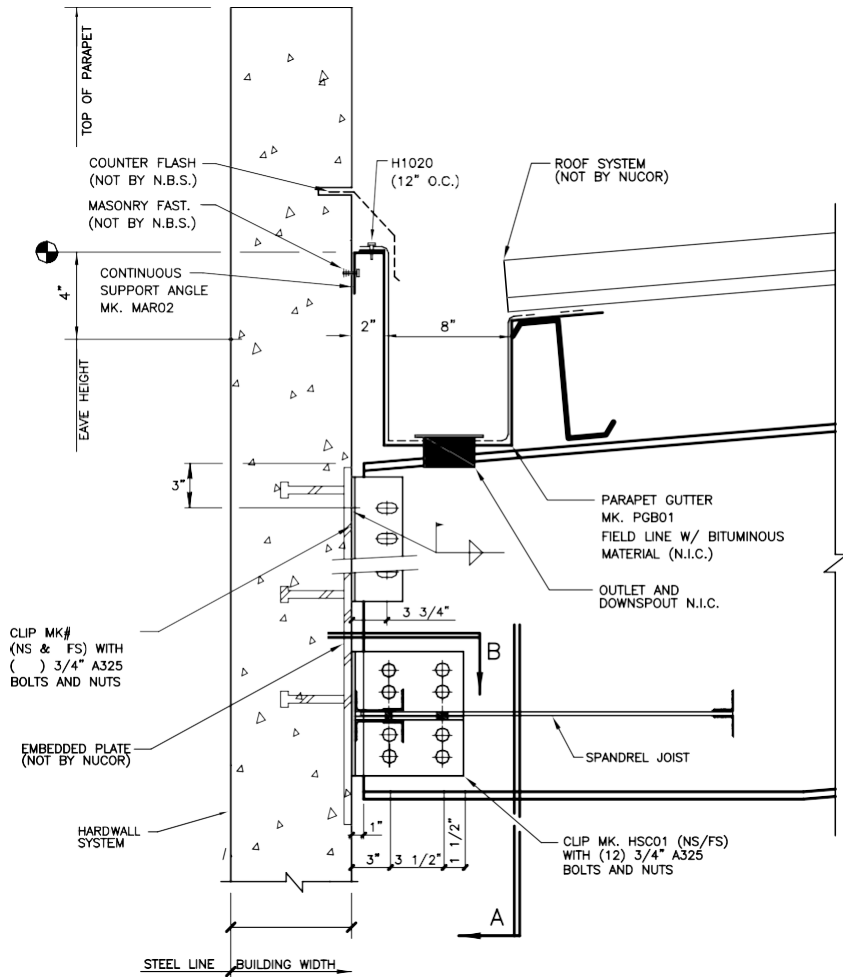
**SECTION A – WELD DETAIL**  
SEE DETAIL BELOW FOR DIMENSIONS



**TYPICAL DIMENSIONS**  
SEE SECTION-A ABOVE FOR WELDS



**SECTION B – JOIST DETAIL**  
RAFTER FLANGES NOT SHOWN FOR CLARITY

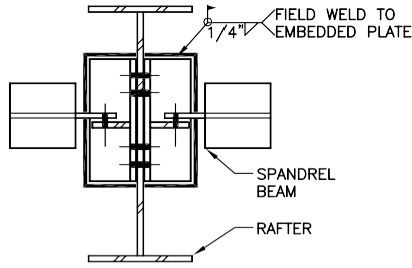


**LOAD BEARING PRE-CAST/TILT-UP DETAIL**

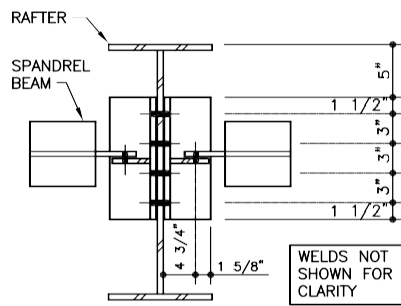
PARAPET JOIST TRUSS: ROOF NOT BY NBS (NON-DIAPHRAGM)  
REFERENCE WASHER DETAIL FOR TYPICAL WASHER REQUIREMENTS

**KA6054**

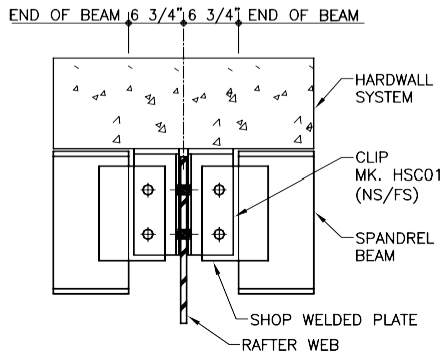
**KA6056 – PURLINS, ROOF NOT BY NBS (NON-DIAPHRAGM)**



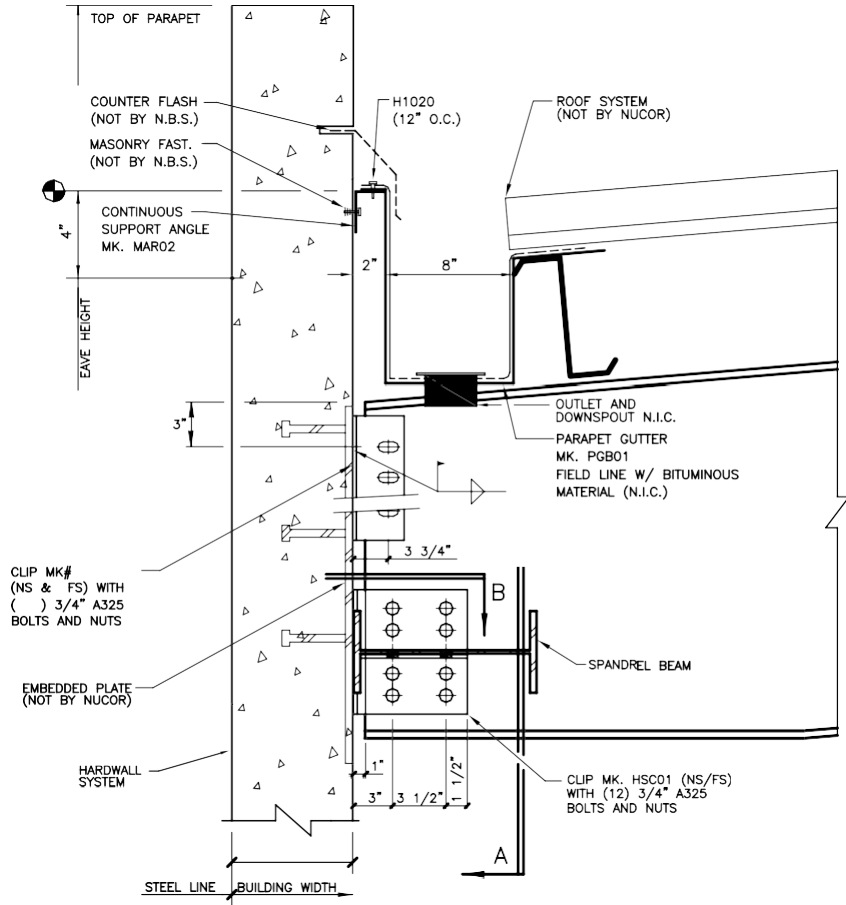
**SECTION A – WELD DETAIL**  
SEE DETAIL BELOW FOR DIMENSIONS



**TYPICAL DIMENSIONS**  
SEE SECTION-A ABOVE FOR WELDS



**SECTION B – BEAM DETAIL**  
RAFTER FLANGES NOT SHOWN FOR CLARITY



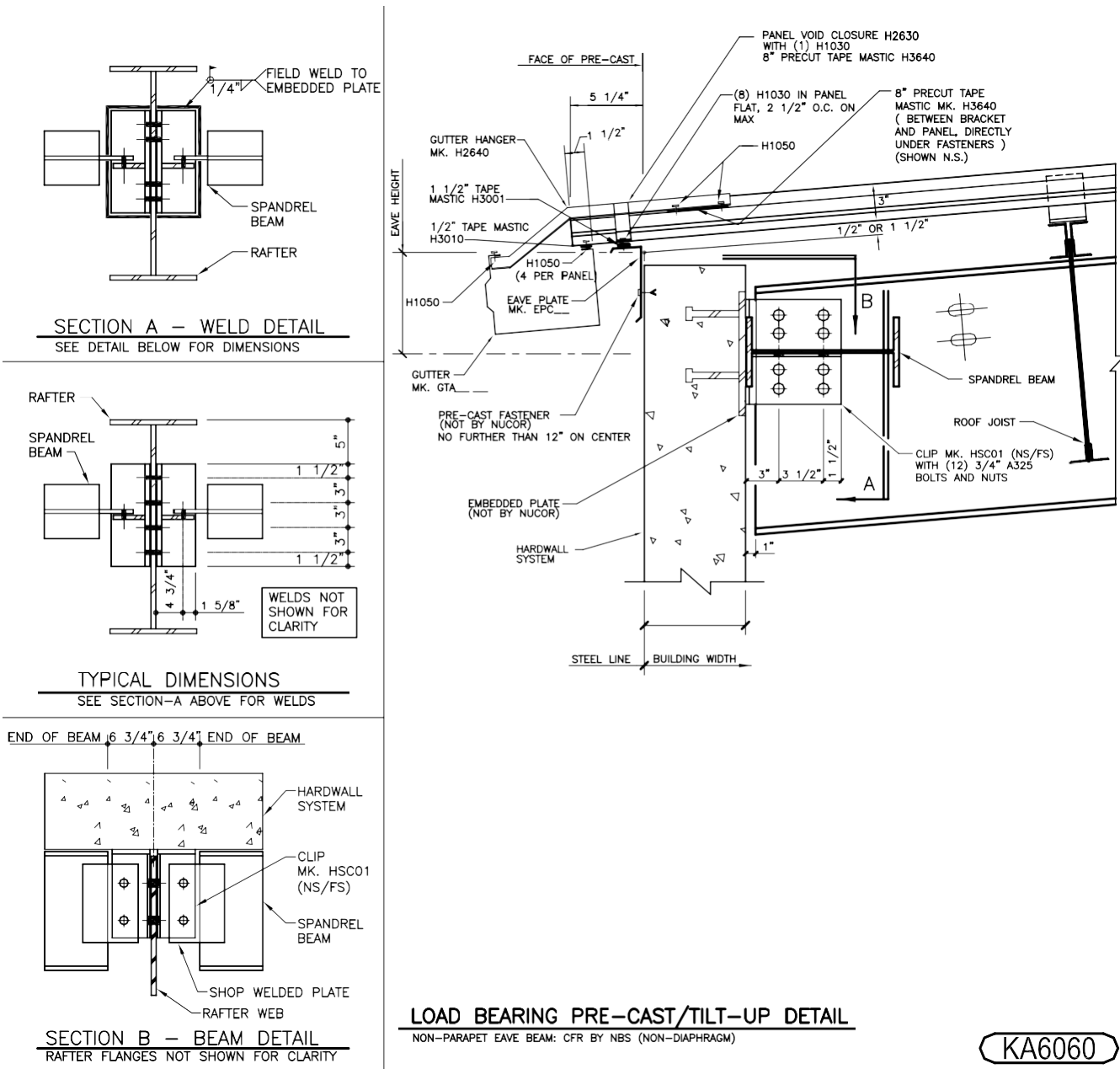
**LOAD BEARING PRE-CAST/TILT-UP DETAIL**

PARAPET SPANDREL BEAM: ROOF NOT BY NBS (NON-DIAPHRAGM)  
REFERENCE WASHER DETAIL FOR TYPICAL WASHER REQUIREMENTS

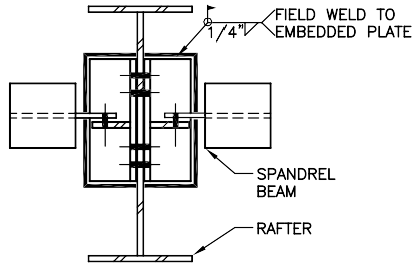
**KA6056**

**NON-PARAPET EAVE BEAM DETAILS**

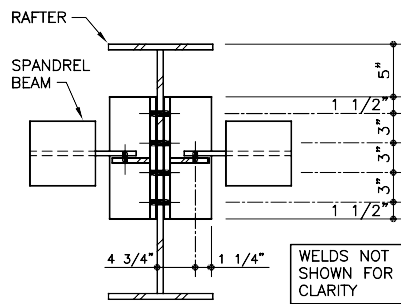
**KA6060 – JOISTS, CFR BY NBS (NON-DIAPHRAGM)**



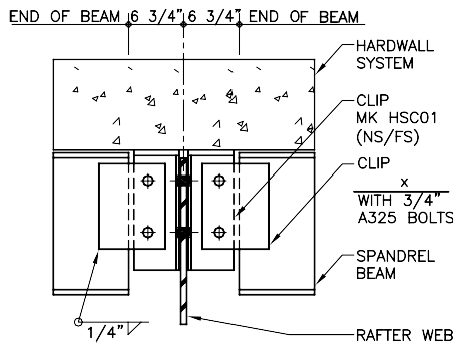
**KA6070 – JOISTS, ROOF NOT BY NBS (NON-DIAPHRAGM)**



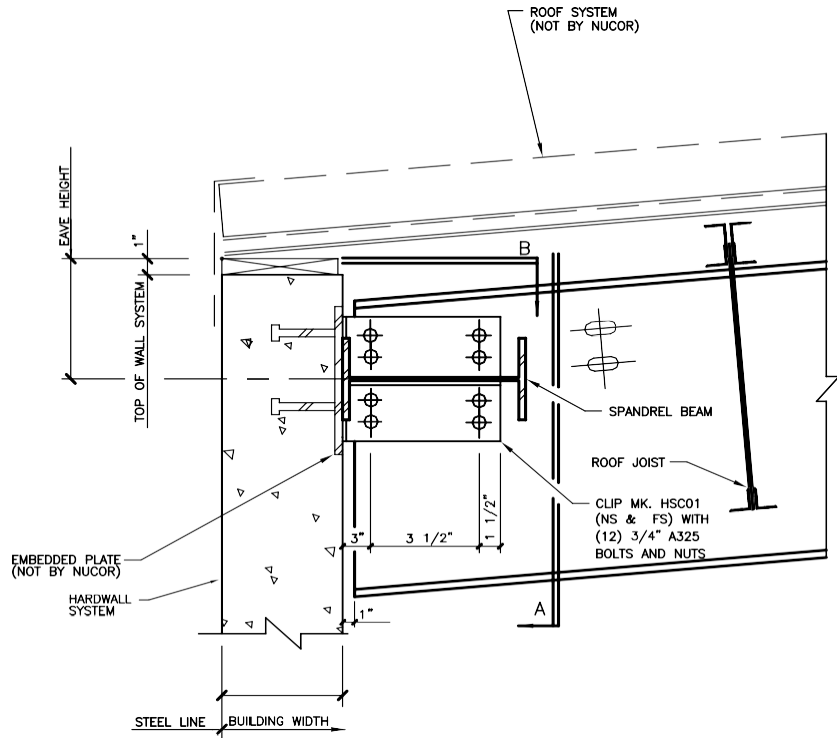
**SECTION A – WELD DETAIL**  
SEE DETAIL BELOW FOR DIMENSIONS



**TYPICAL DIMENSIONS**  
SEE SECTION-A ABOVE FOR WELDS



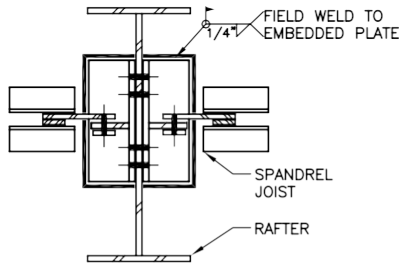
**SECTION B – BEAM DETAIL**  
RAFTER FLANGES NOT SHOWN FOR CLARITY



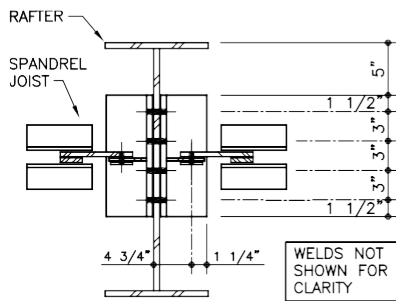
**LOAD BEARING PRE-CAST/TILT-UP DETAIL**  
NON-PARAPET EAVE BEAM: ROOF NOT BY NBS (NON-DIAPHRAGM)

KA6070

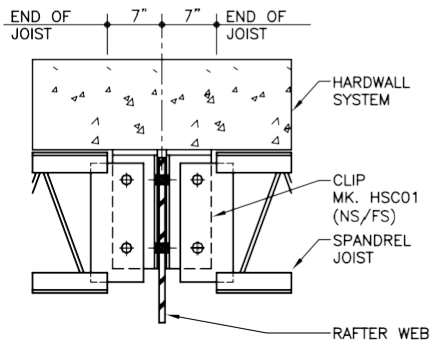
**KA6080 – PURLINS, CFR BY NBS (NON-DIAPHRAGM)**



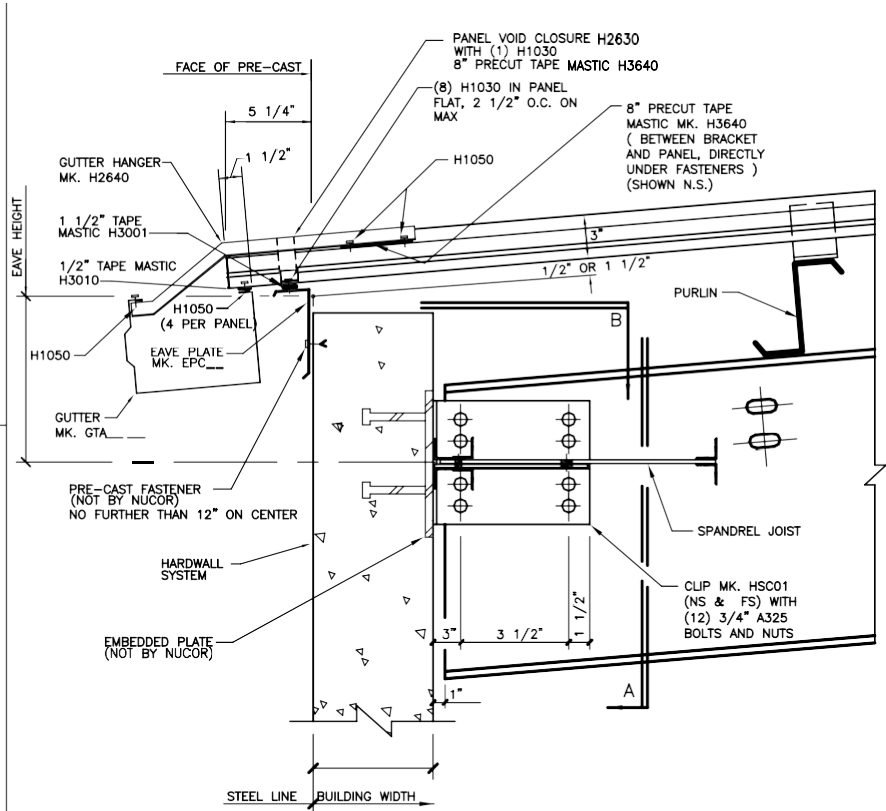
**SECTION A – WELD DETAIL**  
SEE DETAIL BELOW FOR DIMENSIONS



**TYPICAL DIMENSIONS**  
SEE SECTION-A ABOVE FOR WELDS



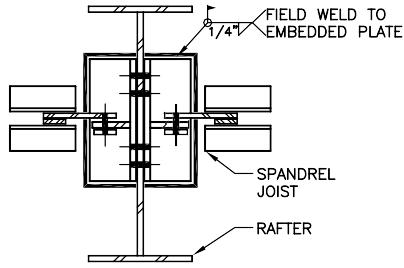
**SECTION B – JOIST DETAIL**  
RAFTER FLANGES NOT SHOWN FOR CLARITY



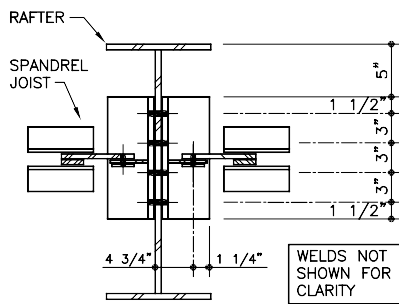
**LOAD BEARING PRE-CAST/TILT-UP DETAIL**  
NON-PARAPET JOIST TRUSS, CFR BY NBS (NON-DIAPHRAGM)

(KA6080)

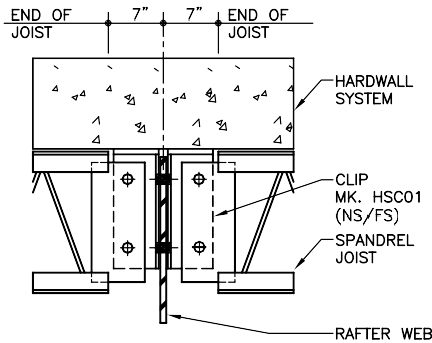
**KA6090 – PURLINS, ROOF NOT BY NBS (NON-DIAPHRAGM)**



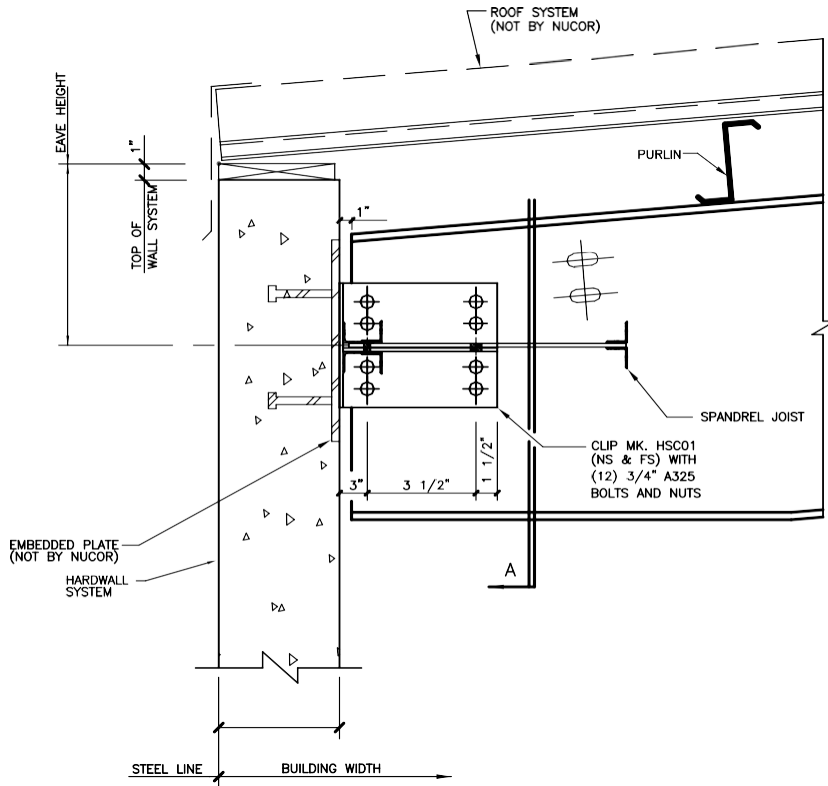
**SECTION A – WELD DETAIL**  
SEE DETAIL BELOW FOR DIMENSIONS



**TYPICAL DIMENSIONS**  
SEE SECTION-A ABOVE FOR WELDS



**SECTION B – JOIST DETAIL**  
RAFTER FLANGES NOT SHOWN FOR CLARITY

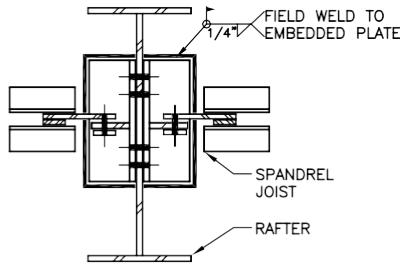


**LOAD BEARING PRE-CAST/TILT-UP DETAIL**  
NON-PARAPET JOIST TRUSS: ROOF NOT BY NBS (NON-DIAPHRAGM)

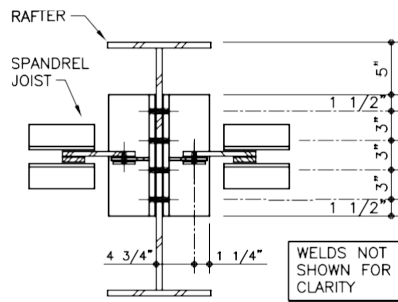
KA6090



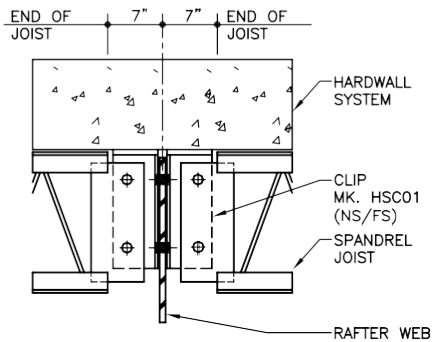
**KA6100 – PURLINS, ROOF NOT BY NBS (WITH DIAPHRAGM)**



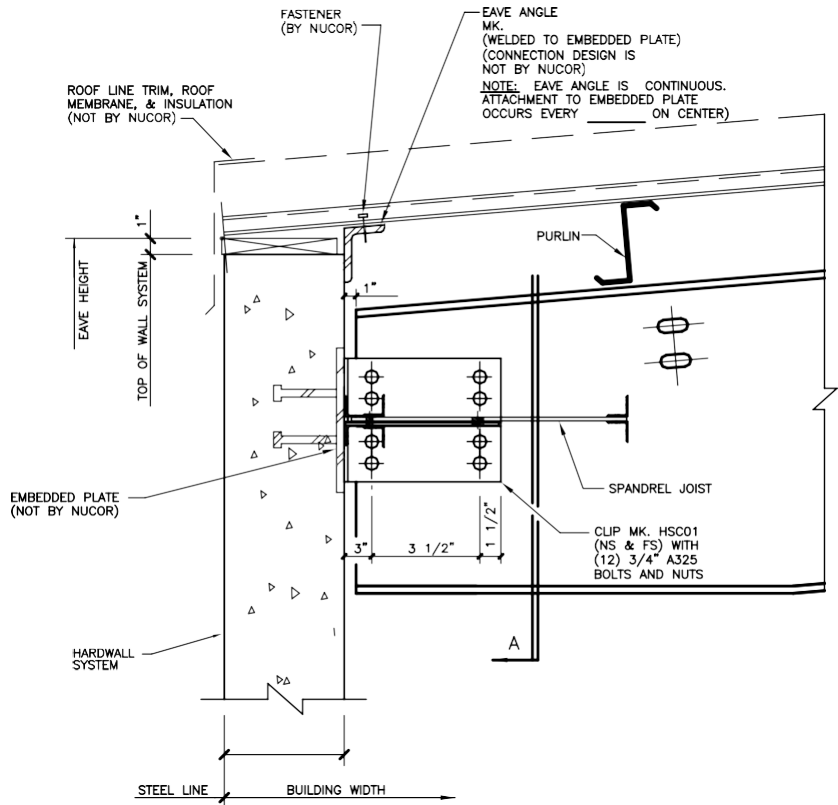
**SECTION A – WELD DETAIL**  
SEE DETAIL BELOW FOR DIMENSIONS



**TYPICAL DIMENSIONS**  
SEE SECTION-A ABOVE FOR WELDS



**SECTION B – JOIST DETAIL**  
RAFTER FLANGES NOT SHOWN FOR CLARITY

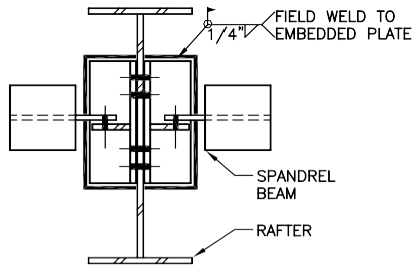


**LOAD BEARING PRE-CAST/TILT-UP DETAIL**  
NON-PARAPET: ROOF NOT BY NBS (WITH DIAPHRAGM)

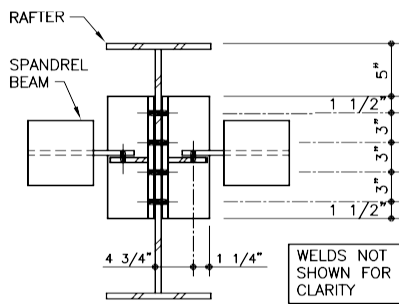
KA6100



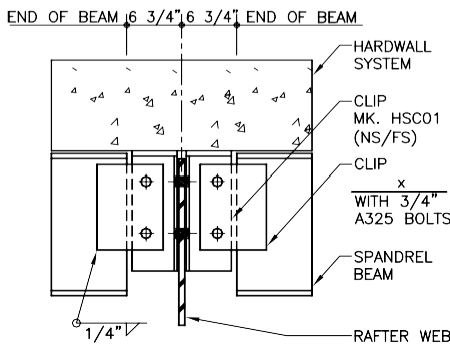
**KA6120 – PURLINS, ROOF NOT BY NBS (NON-DIAPHRAGM)**



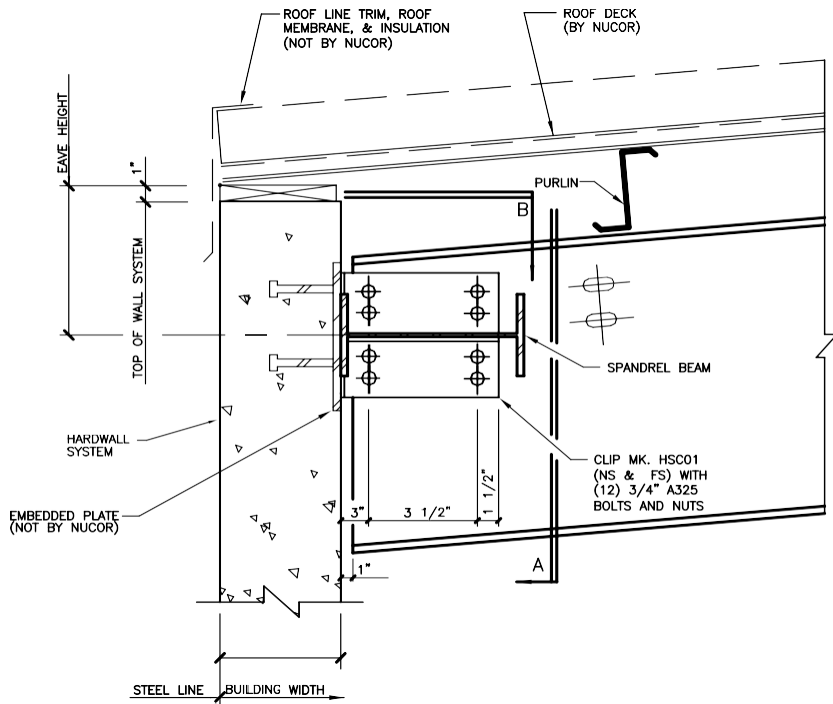
**SECTION A – WELD DETAIL**  
SEE DETAIL BELOW FOR DIMENSIONS



**TYPICAL DIMENSIONS**  
SEE SECTION-A ABOVE FOR WELDS



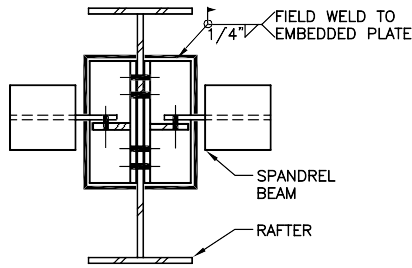
**SECTION B – BEAM DETAIL**  
RAFTER FLANGES NOT SHOWN FOR CLARITY



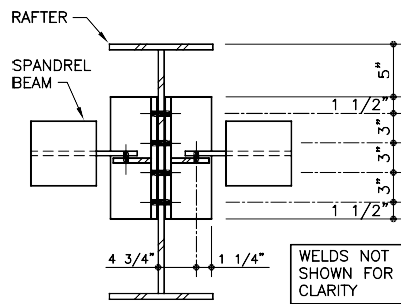
**LOAD BEARING PRE-CAST/TILT-UP DETAIL**  
NON-PARAPET EAVE BEAM: ROOF NOT BY NBS (NON-DIAPHRAGM)

**KA6120**

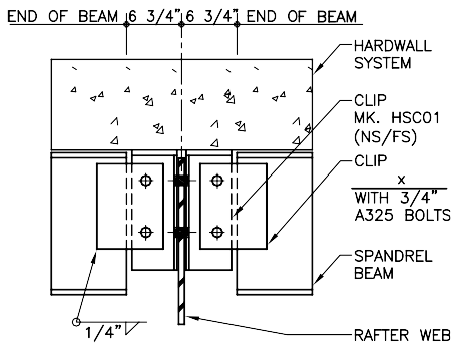
**KA6130 – JOISTS, ROOF NOT BY NBS (WITH-DIAPHRAGM)**



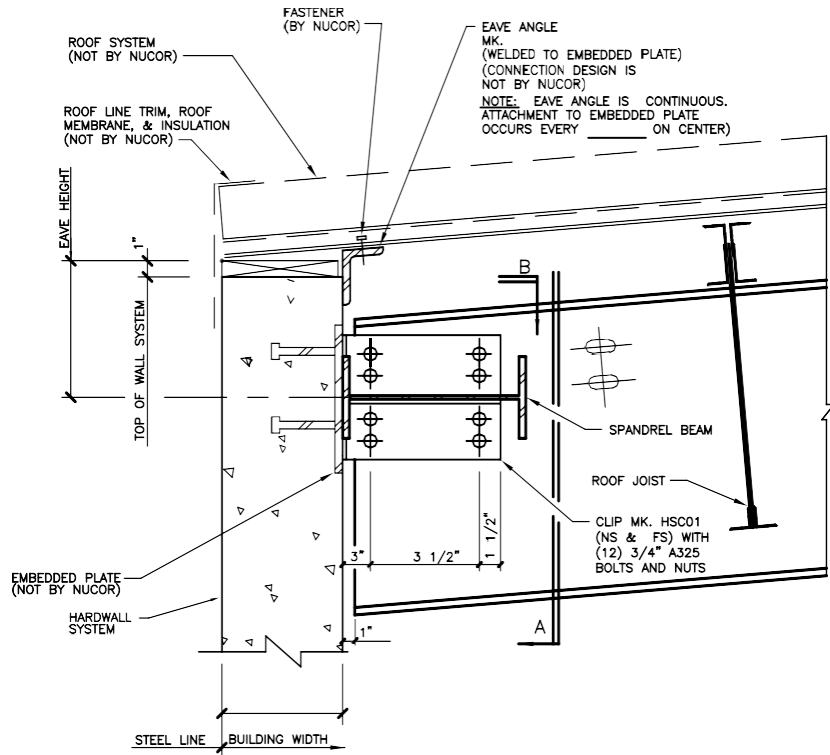
**SECTION A – WELD DETAIL**  
SEE DETAIL BELOW FOR DIMENSIONS



**TYPICAL DIMENSIONS**  
SEE SECTION-A ABOVE FOR WELDS



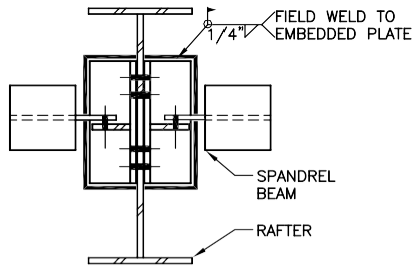
**SECTION B – BEAM DETAIL**  
RAFTER FLANGES NOT SHOWN FOR CLARITY



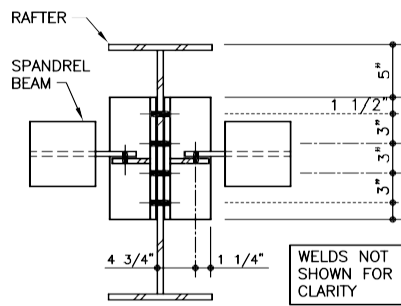
**LOAD BEARING PRE-CAST/TILT-UP DETAIL**  
NON-PARAPET EAVE BEAM: ROOF NOT BY NBS (WITH-DIAPHRAGM)

KA6130

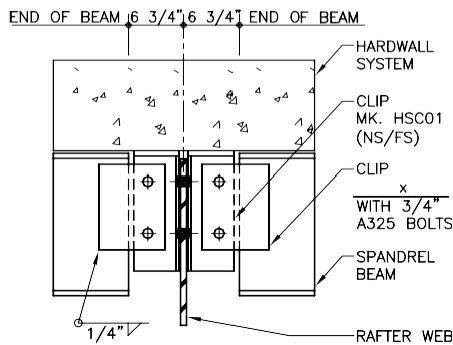
**KA6140 – PURLINS, ROOF NOT BY NBS (WITH-DIAPHRAGM)**



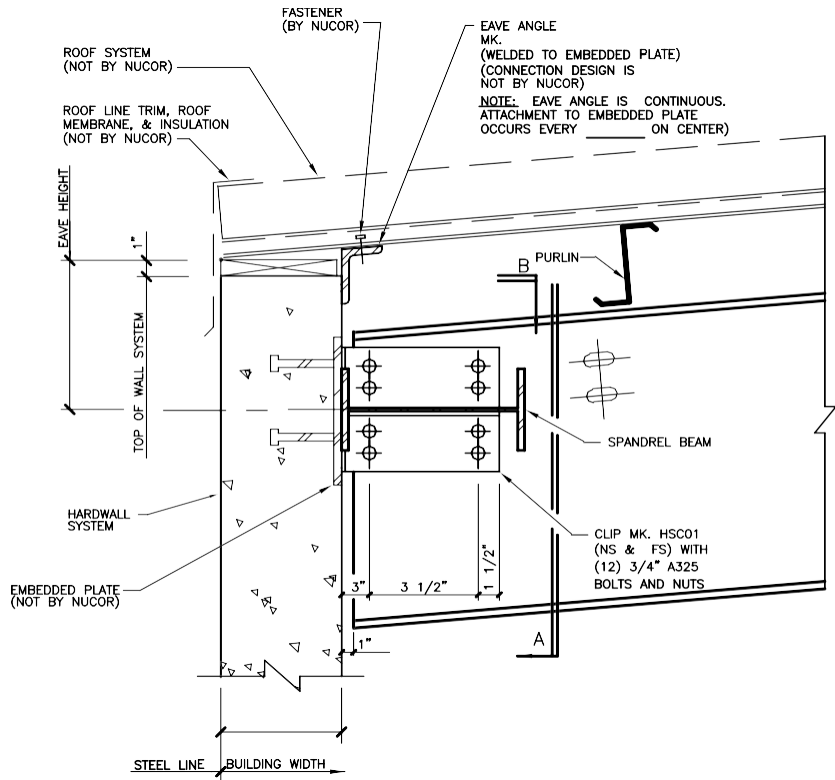
**SECTION A – WELD DETAIL**  
SEE DETAIL BELOW FOR DIMENSIONS



**TYPICAL DIMENSIONS**  
SEE SECTION-A ABOVE FOR WELDS



**SECTION B – BEAM DETAIL**  
RAFTER FLANGES NOT SHOWN FOR CLARITY

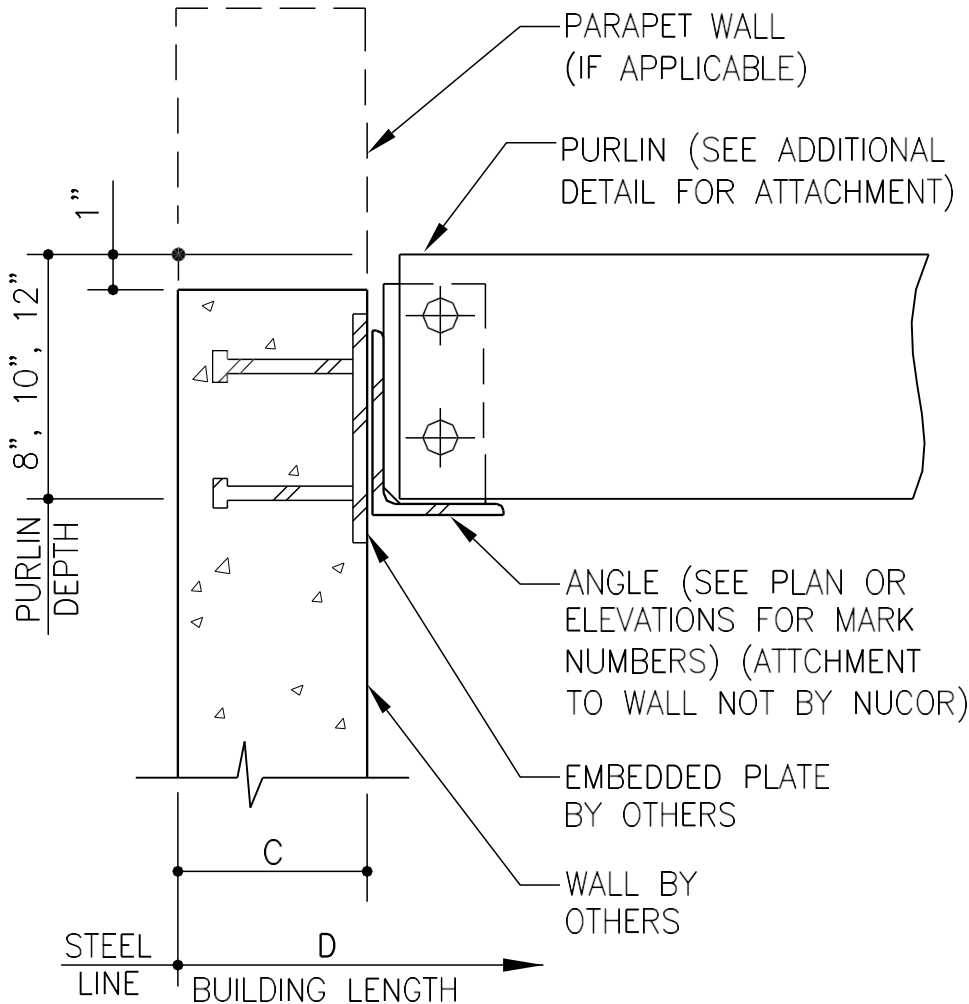


**LOAD BEARING PRE-CAST/TILT-UP DETAIL**  
NON-PARAPET EAVE BEAM: ROOF NOT BY NBS (WITH-DIAPHRAGM)

**KA6140**

**B: ENDWALL STRUCTURAL CONDITIONS**

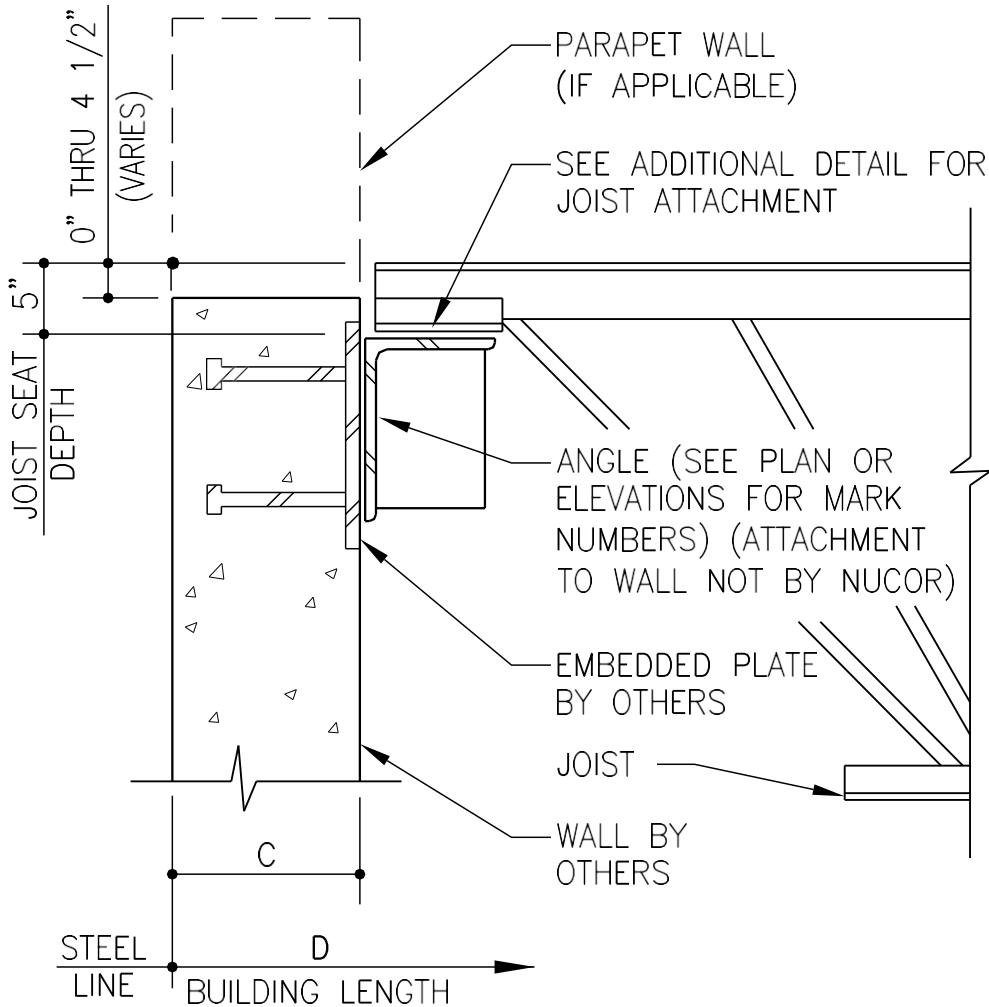
**BO0300 – ENDWALL RAKE ANGLE WITH PURLINS**



**LOAD BEARING PRE-CAST  
OR TILT-UP WALL DETAIL**  
ENDWALL RAKE ANGLE WITH PURLINS

**BO0300**

**BO0310 – ENDWALL RAKE ANGLE WITH JOIST (LIGHT LOADING)**



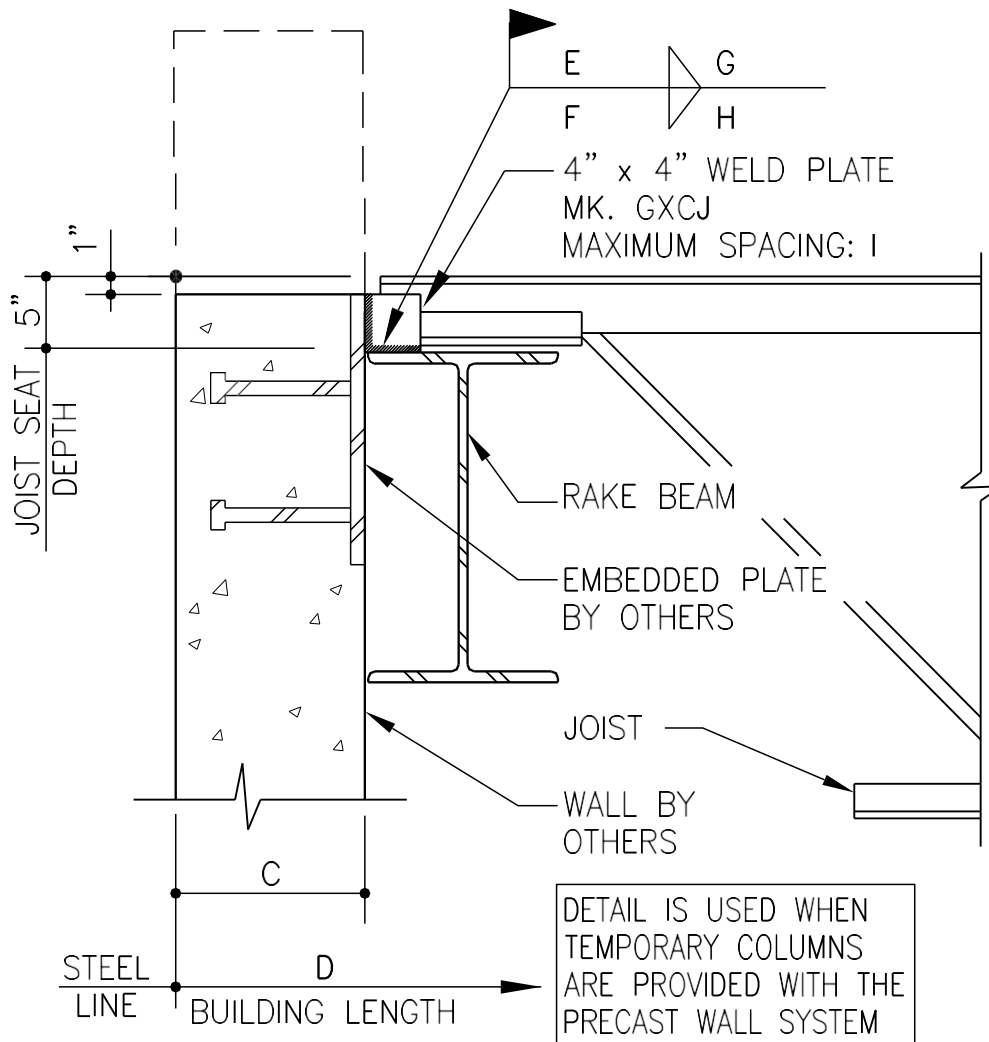
**LOAD BEARING PRE-CAST  
OR TILT-UP WALL DETAIL**

ENDWALL RAKE ANGLE WITH JOISTS

**BO0310**



**BO0320 – ENDWALL RAKE ANGLE WITH JOIST (HEAVY LOADING)**



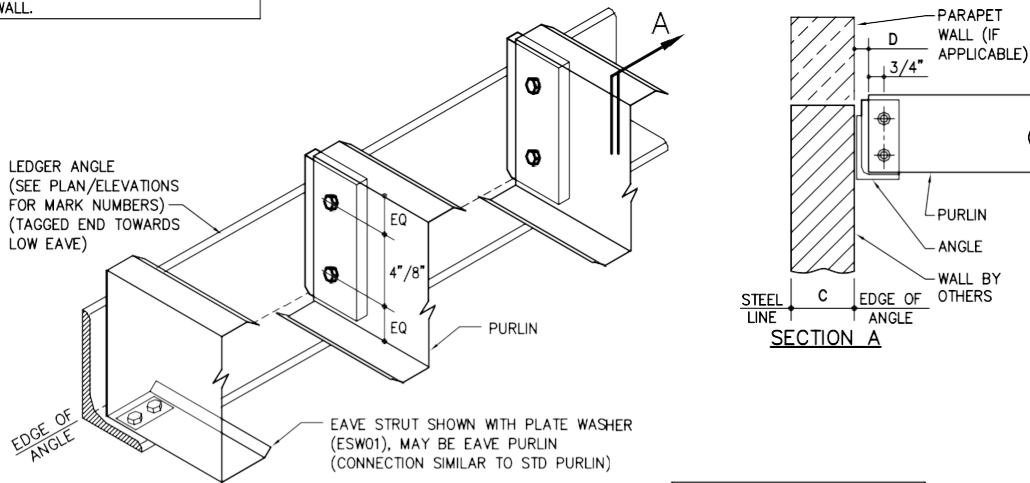
**LOAD BEARING PRE-CAST  
OR TILT-UP WALL DETAIL**

ENDWALL RAKE BEAM WITH JOISTS

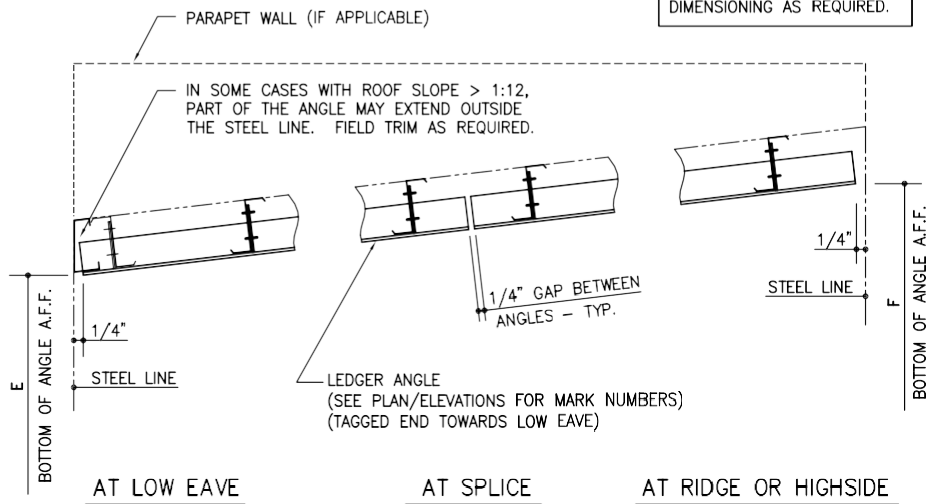
**BO0320**

**BO0500- PURLIN (STD RAKE OR RAKE PARAPET)**

SUPPLY AND DESIGN OF CONNECTION OF ANGLE TO WALL BY OTHERS NOT BY NUCOR. ATTACHMENT OF ANGLE SHOULD BE NO MORE THAN 6" AWAY FROM EACH PURLIN LOCATION. NUCOR WILL NOT PREP THE ANGLE FOR THIS ATTACHMENT TO THE WALL.



REFER TO PLANS/ELEVATIONS FOR ANY ADDITIONAL ANGLE DIMENSIONING AS REQUIRED.



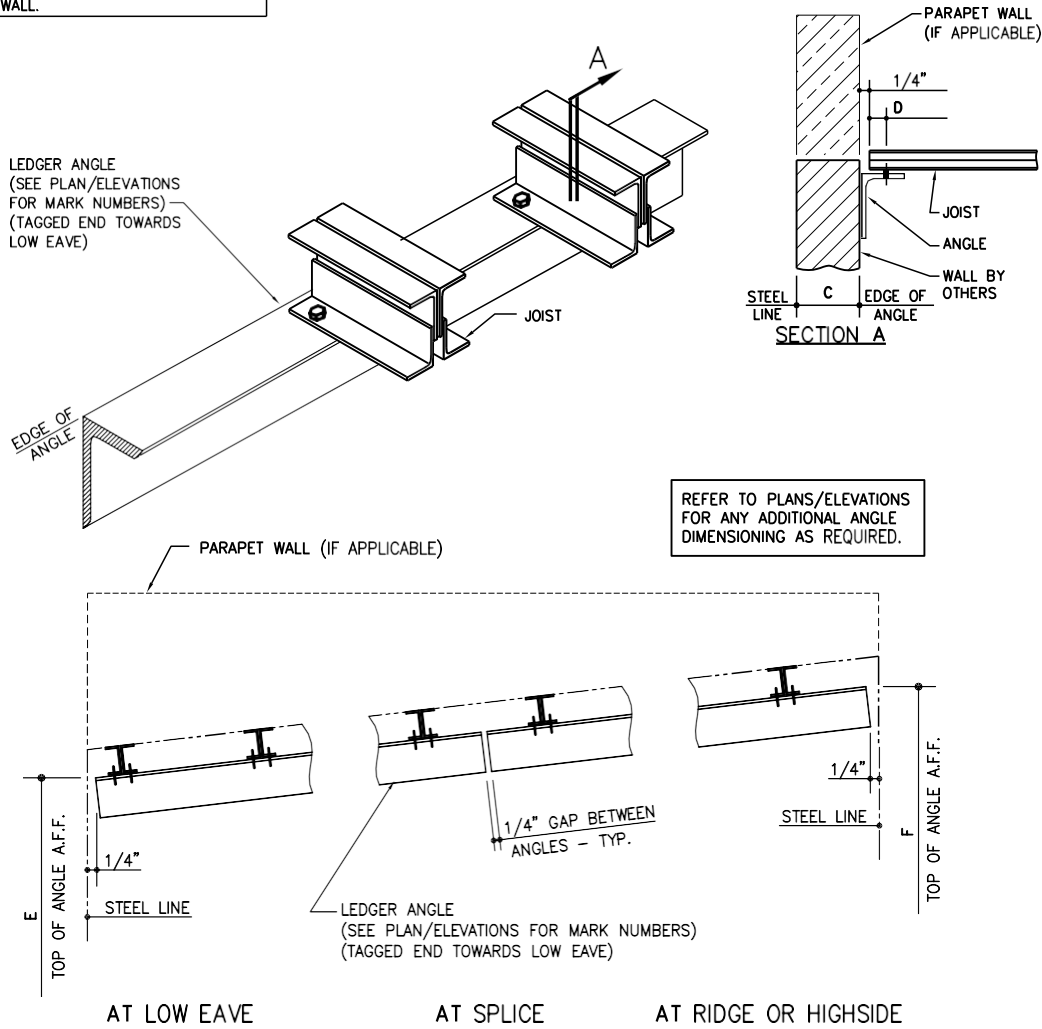
**LEDGER ANGLE DETAIL**

USE (2) 1/2" x 2" A325 BOLT H0603/NUT H0300 AT EACH PURLIN / EAVE STRUT LOCATION  
REFERENCE ERECTOR NOTE FOR TYPICAL WASHER REQUIREMENTS

**BO0500**

**BO0520- JOIST (BOLTED)**

SUPPLY AND DESIGN OF CONNECTION OF ANGLE TO WALL BY OTHERS NOT BY NUCOR. ATTACHMENT OF ANGLE SHOULD BE NO MORE THAN 6" AWAY FROM EACH JOIST LOCATION. NUCOR WILL NOT PREP THE ANGLE FOR THIS ATTACHMENT TO THE WALL.



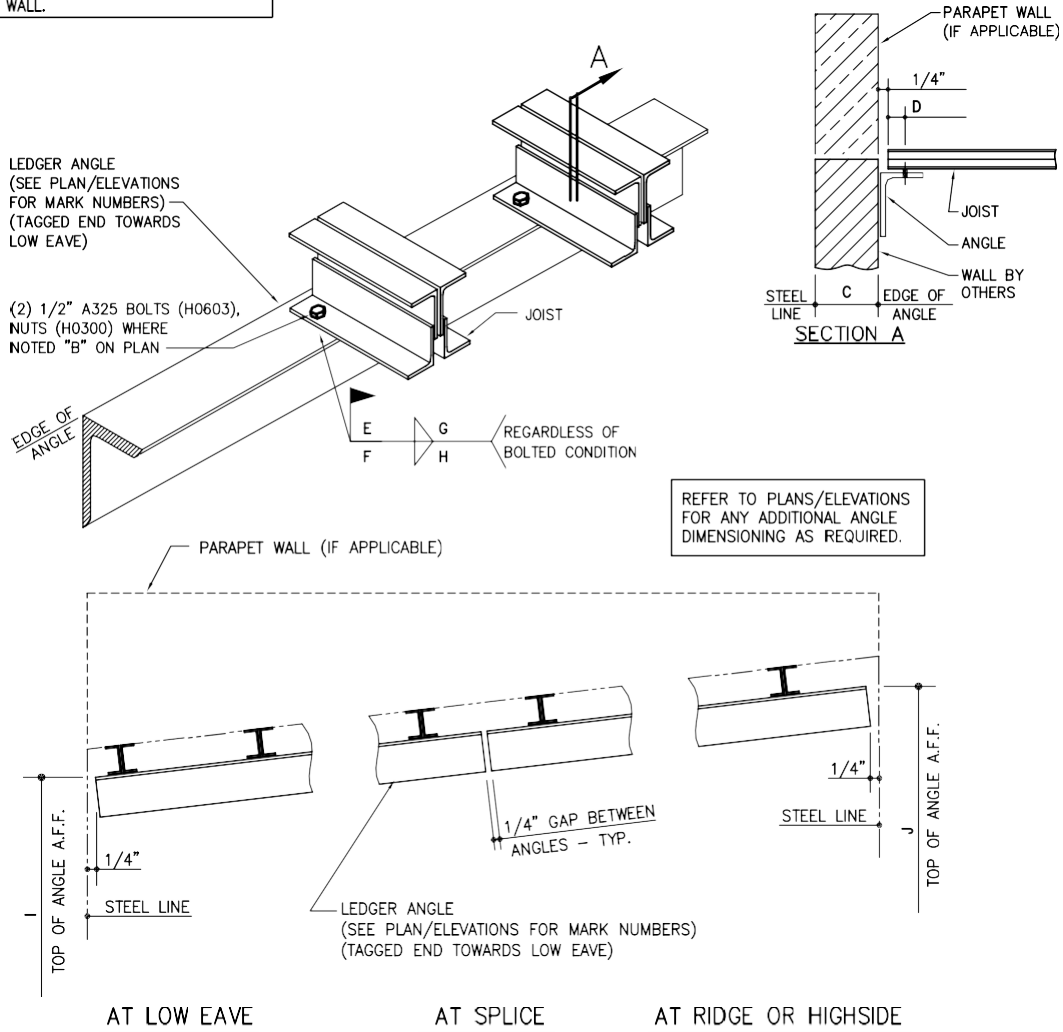
**LEDGER ANGLE DETAIL**

USE (2) 1/2" x 2" A325 BOLT H0603/NUT H0300 AT EACH JOIST LOCATION  
REFERENCE ERECTOR NOTE FOR TYPICAL WASHER REQUIREMENTS

**BO0520**

**BO0530 – JOIST (WELDED)**

SUPPLY AND DESIGN OF CONNECTION OF ANGLE TO WALL BY OTHERS NOT BY NUCOR. ATTACHMENT OF ANGLE SHOULD BE NO MORE THAN 6" AWAY FROM EACH JOIST LOCATION. NUCOR WILL NOT PREP THE ANGLE FOR THIS ATTACHMENT TO THE WALL.



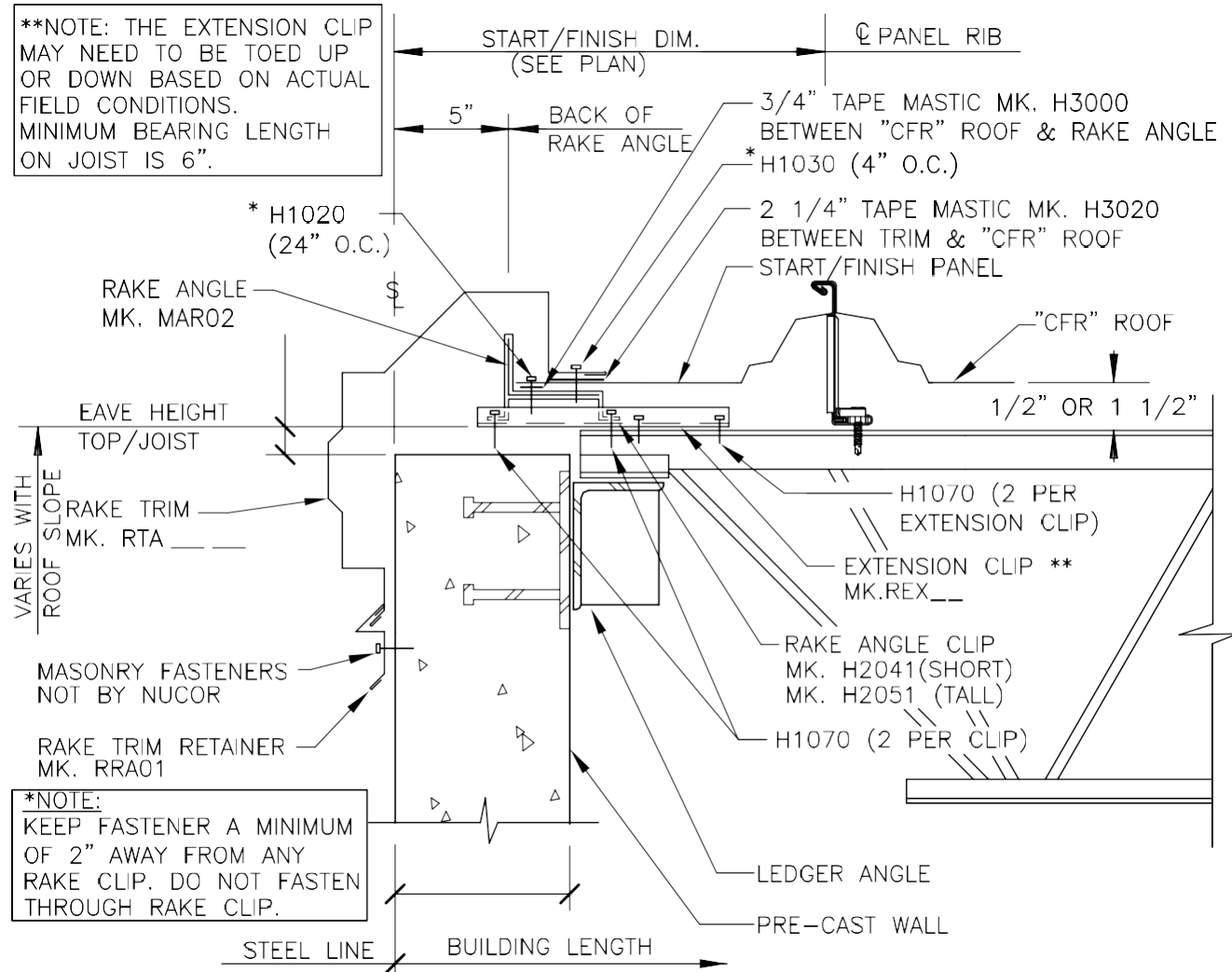
**LEDGER ANGLE DETAIL**

REFERENCE ERECTOR NOTE FOR TYPICAL WASHER REQUIREMENTS

**BO0530**

**C: ENDWALL SHEETING CONDITIONS**  
**NON-PARAPET – JOIST DETAILS**

**KC6010 – CFR BY NBS**

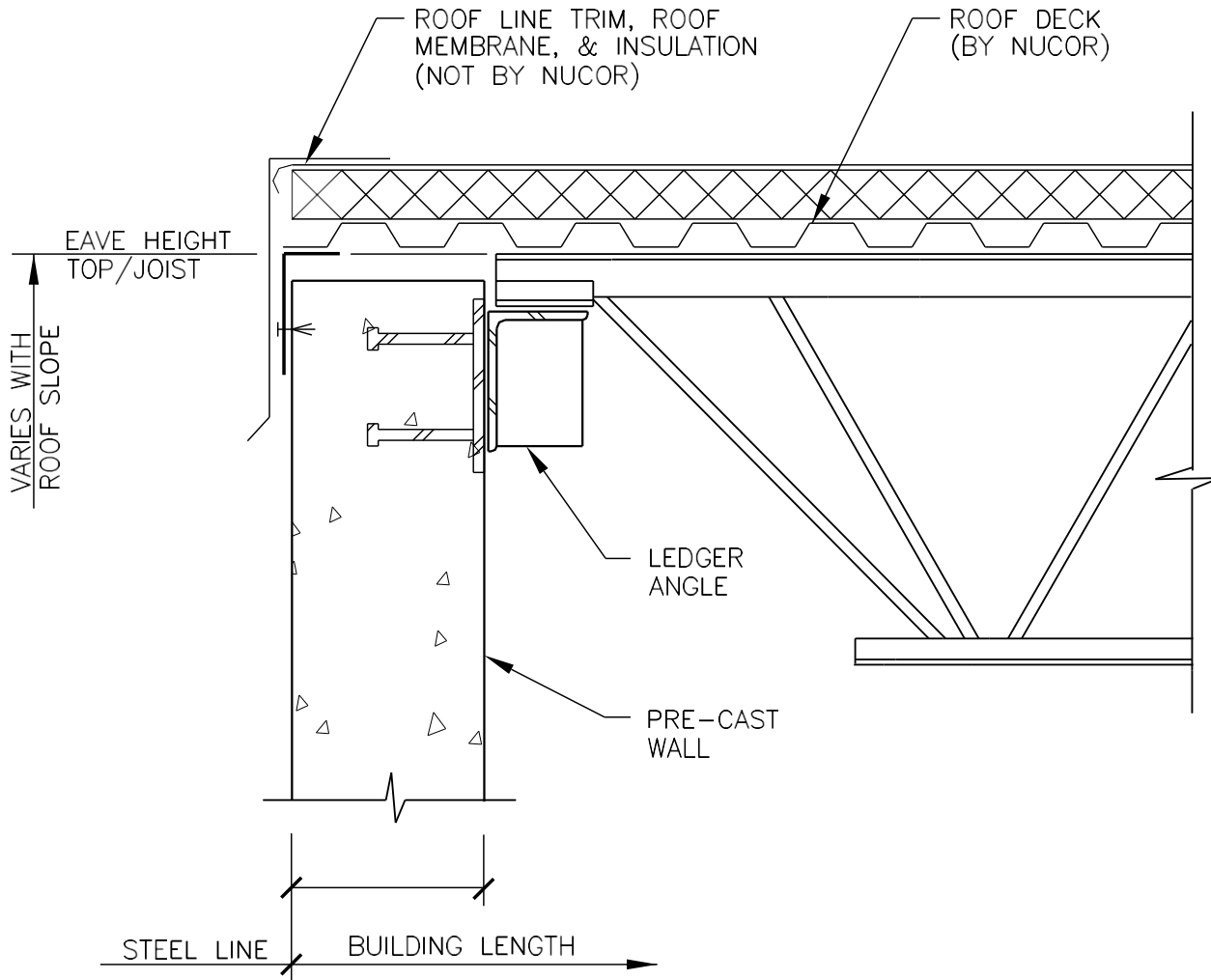


**LOAD BEARING PRE-CAST/TILT-UP WALL DETAIL**

STANDARD RAKE: CFR BY NBS

**KC6010**

**KC6020 – ROOF NOT BY NBS**



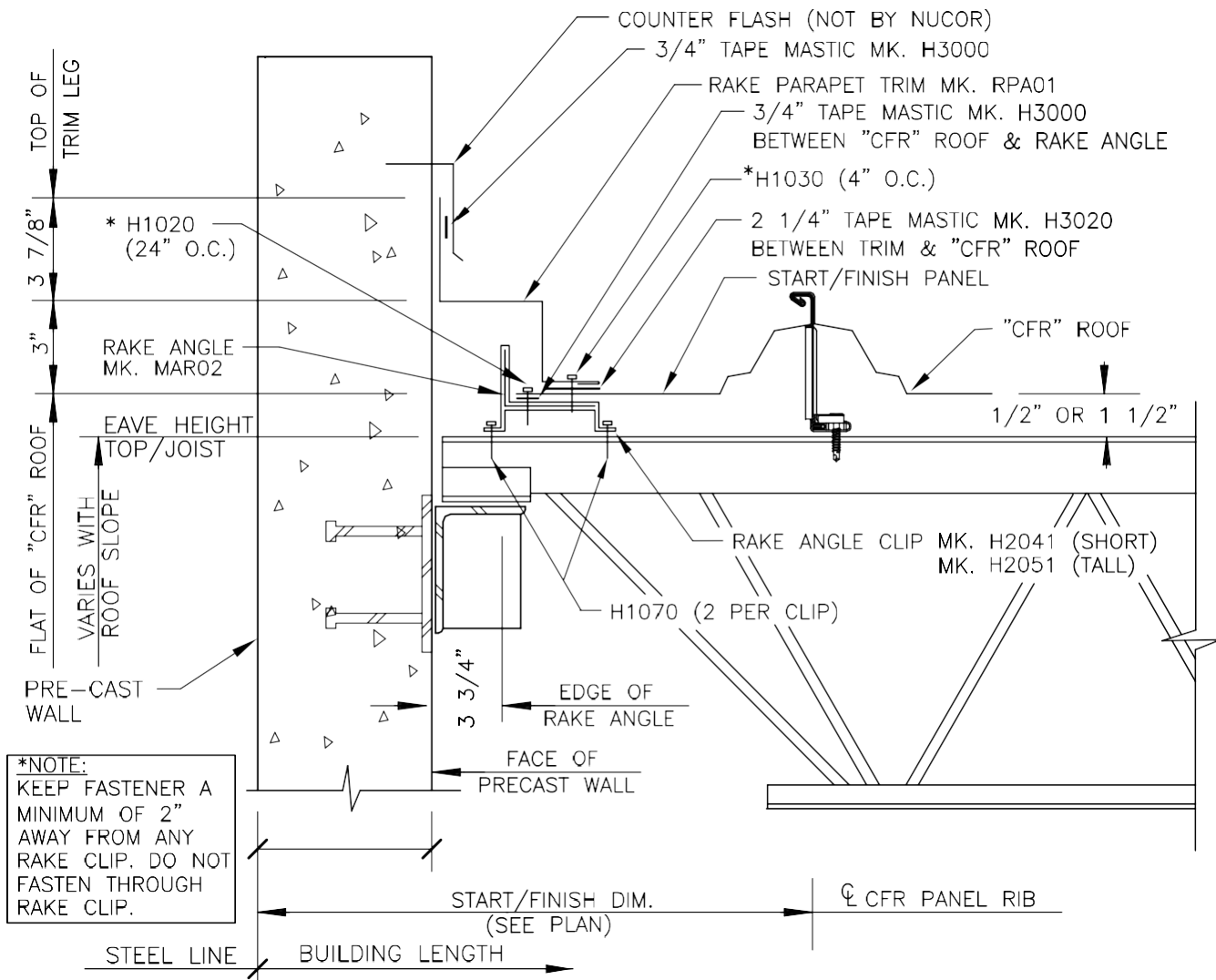
**LOAD BEARING PRE-CAST/TILT-UP WALL DETAIL**

NON-PARAPET: ROOF NOT BY NBS

**KC6020**

**PARAPET – JOIST DETAILS**

**KC6030 – CFR BY NBS**



**\*NOTE:**  
 KEEP FASTENER A MINIMUM OF 2" AWAY FROM ANY RAKE CLIP. DO NOT FASTEN THROUGH RAKE CLIP.

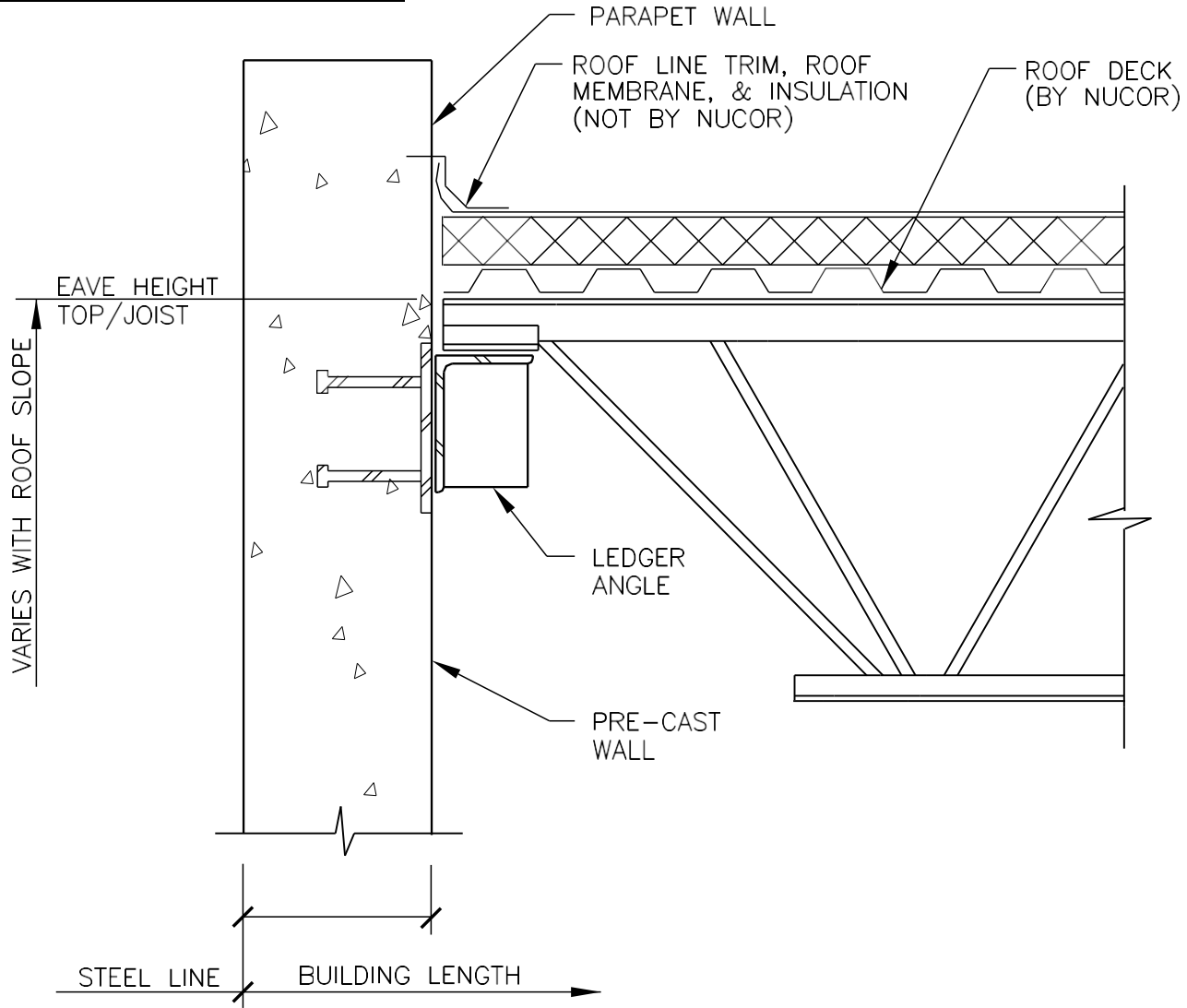
**LOAD BEARING PRE-CAST/TILT-UP WALL DETAIL**

PARAPET: CFR BY NBS

**KC6030**



**KC6040 – ROOF NOT BY NBS**



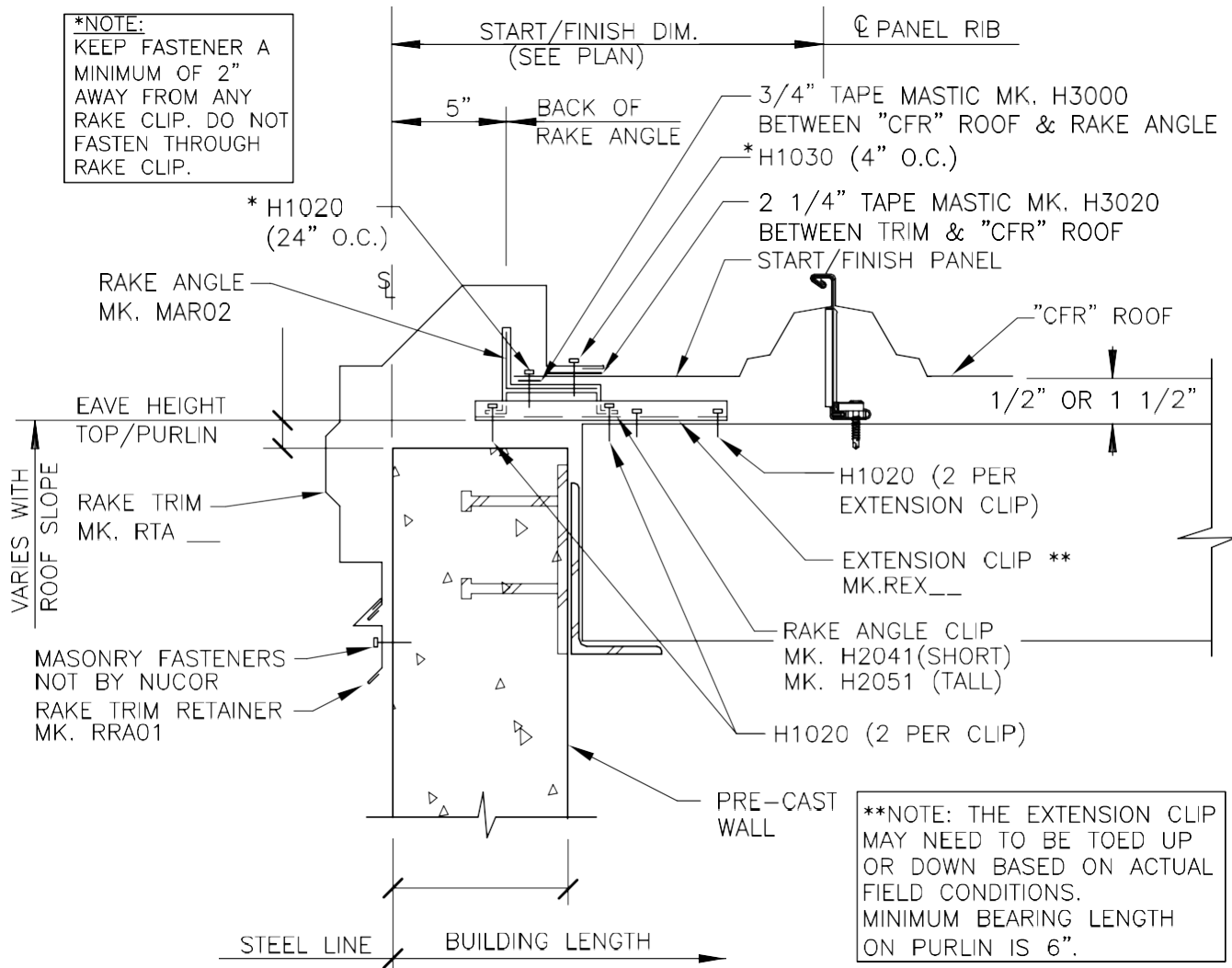
**LOAD BEARING PRE-CAST/TILT-UP WALL DETAIL**

PARAPET: ROOF NOT BY NBS

**KC6040**

**NON-PARAPET – PURLIN DETAILS**

**KC6050 – CFR BY NBS**

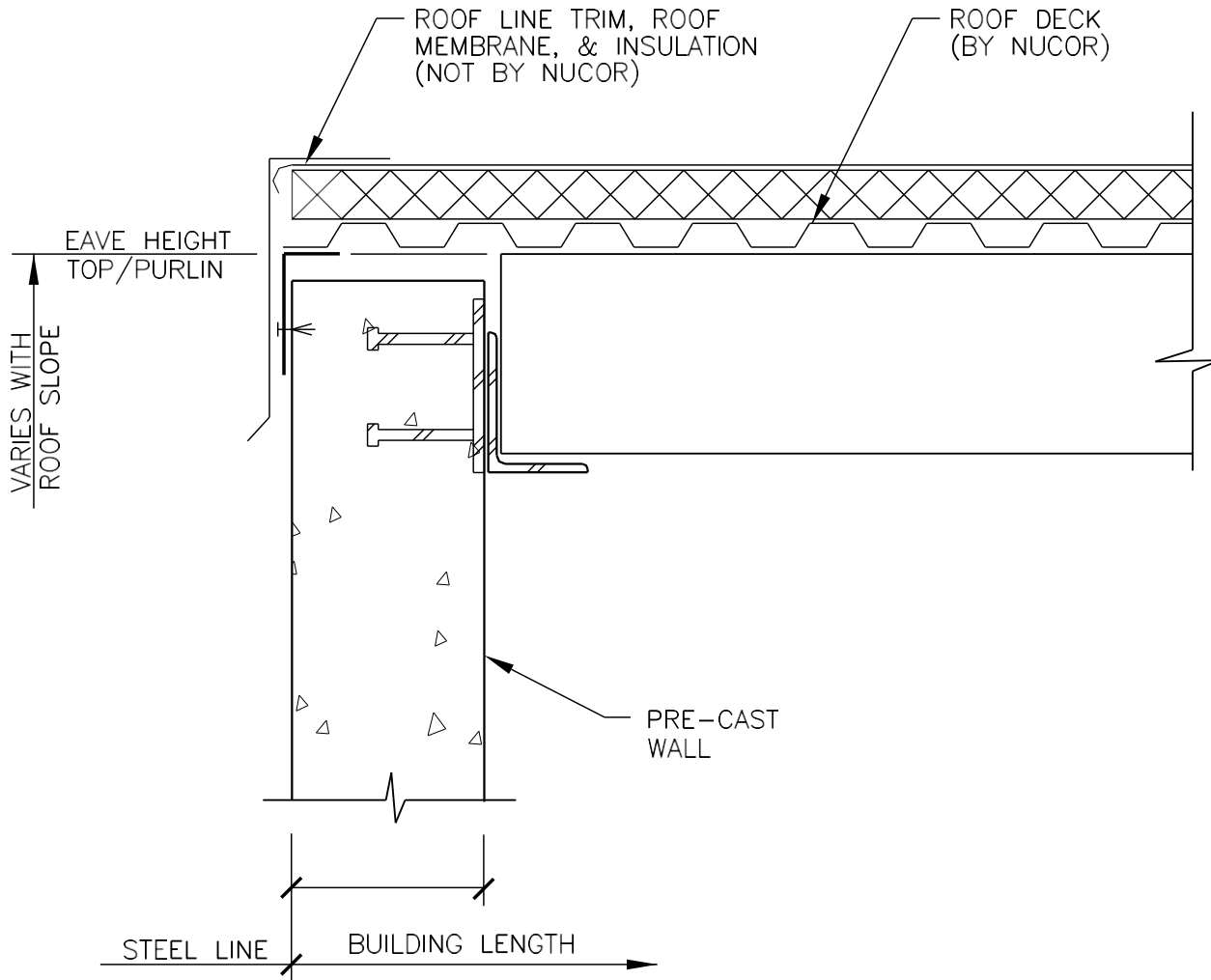


**LOAD BEARING PRE-CAST/TILT-UP WALL DETAIL**

STANDARD RAKE: CFR BY NBS

**KC6050**

**KC6060 – ROOF NOT BY NBS**



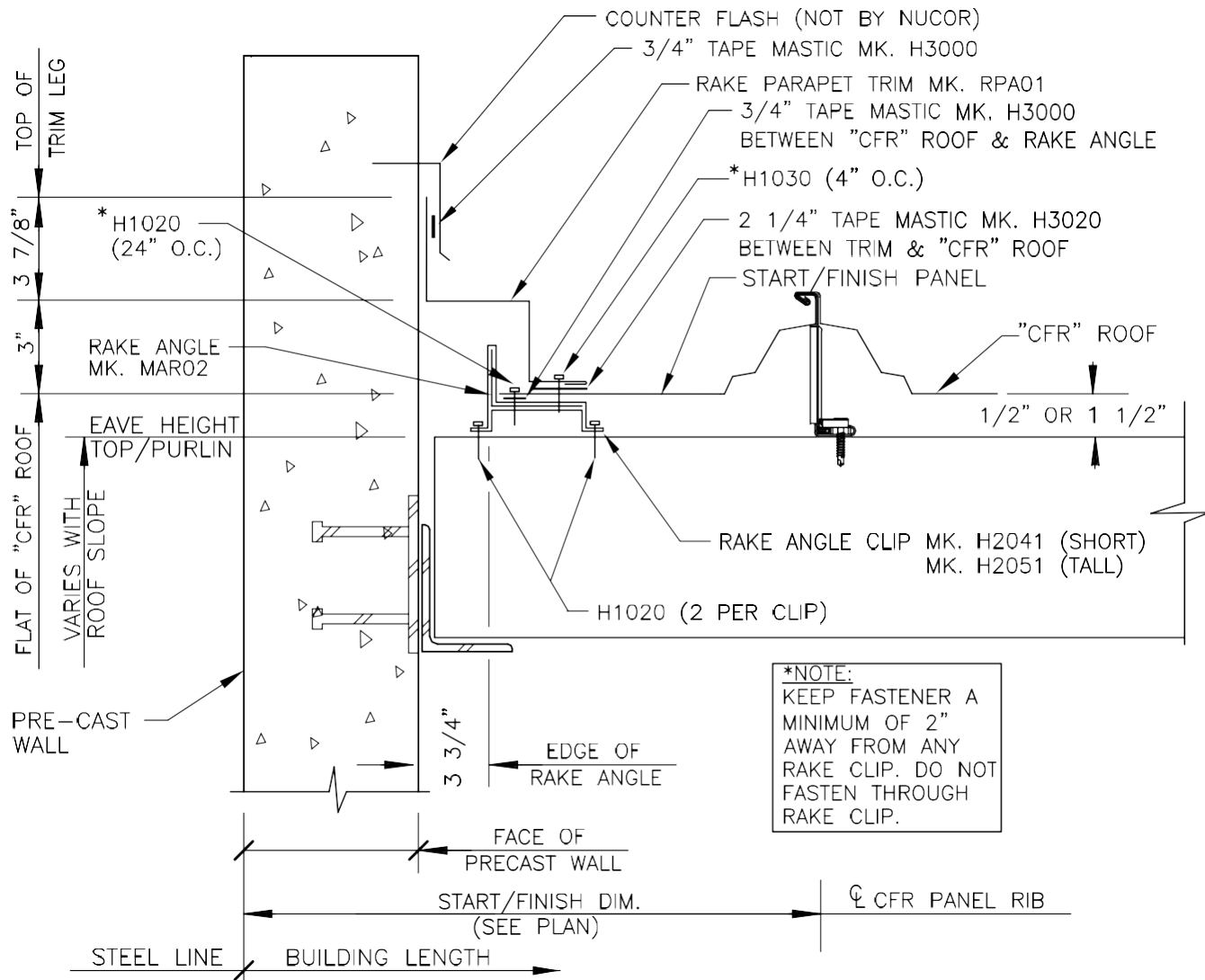
**LOAD BEARING PRE-CAST/TILT-UP WALL DETAIL**

NON-PARAPET: ROOF NOT BY NBS

**KC6060**

**PARAPET – PURLIN DETAILS**

**KC6070 – CFR BY NBS**

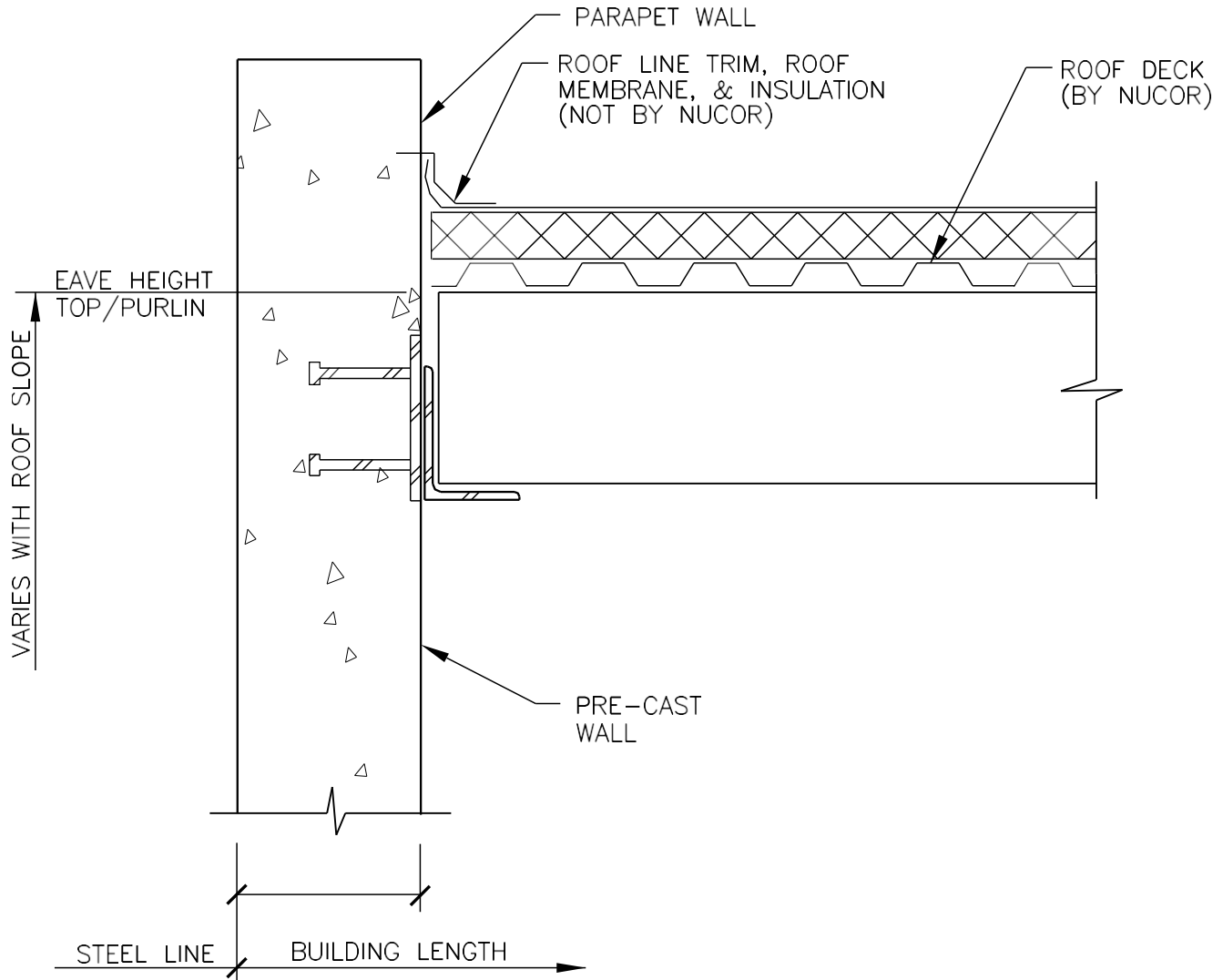


**LOAD BEARING PRE-CAST/TILT-UP WALL DETAIL**

PARAPET: CFR BY NBS

**KC6070**

**KC6080 – ROOF NOT BY NBS**



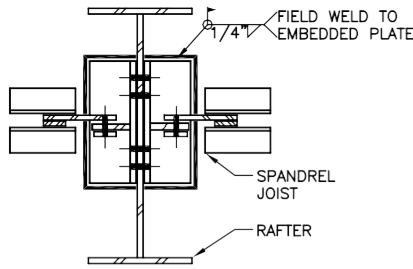
**LOAD BEARING PRE-CAST/TILT-UP WALL DETAIL**

PARAPET: ROOF NOT BY NBS

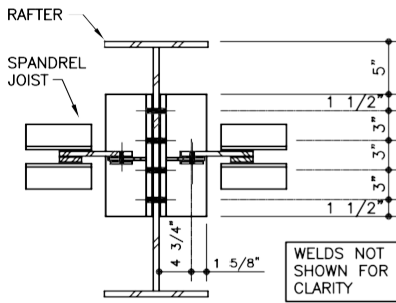
**KC6080**

**D: HIGH EAVE SCULPTURED CONDITIONS**

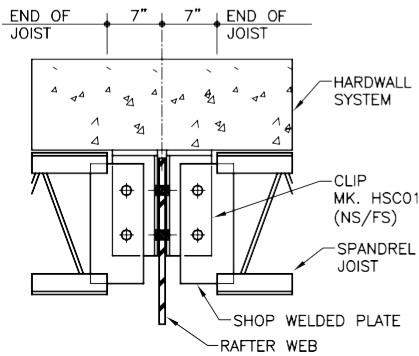
**KD6010 – JOISTS, CFR, JOIST STRUT (NON-DIAPHRAGM)**



**SECTION A – WELD DETAIL**  
SEE DETAIL BELOW FOR DIMENSIONS

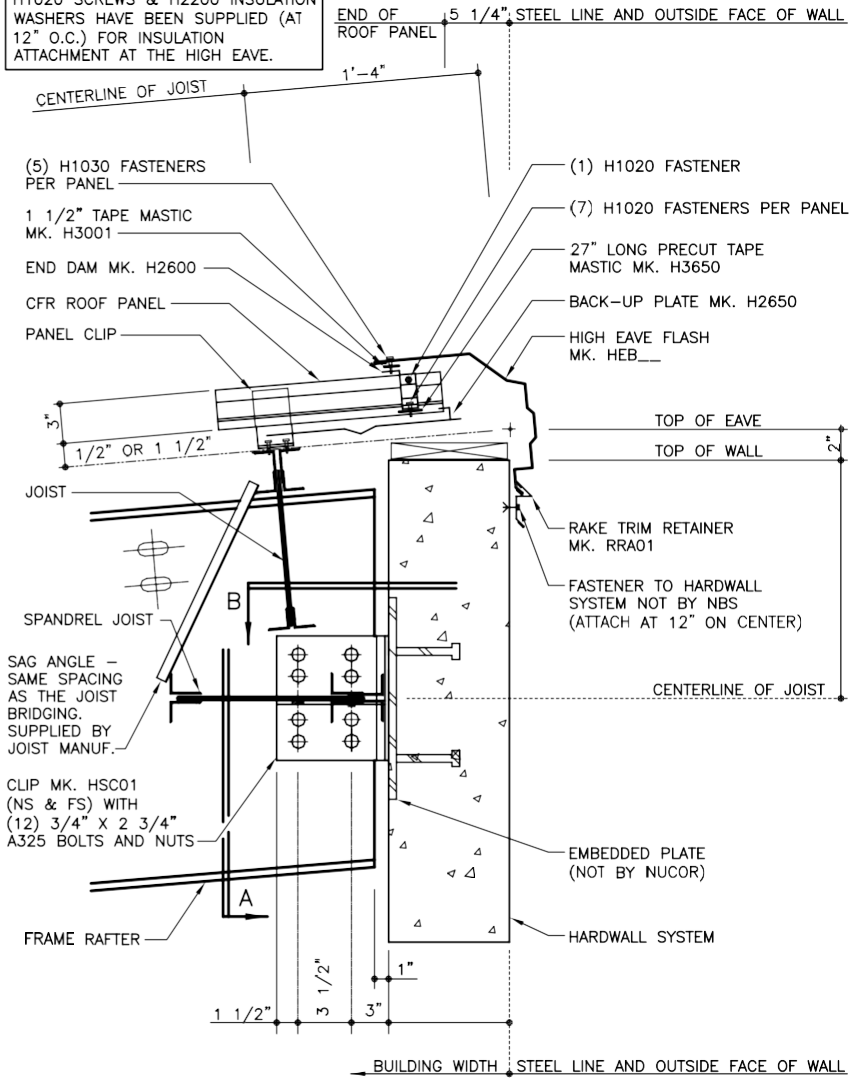


**TYPICAL DIMENSIONS**  
SEE SECTION-A ABOVE FOR WELDS



**SECTION B – JOIST DETAIL**  
RAFTER FLANGES NOT SHOWN FOR CLARITY

**ERECTOR NOTE:**  
H1020 SCREWS & H2200 INSULATION WASHERS HAVE BEEN SUPPLIED (AT 12" O.C.) FOR INSULATION ATTACHMENT AT THE HIGH EAVE.



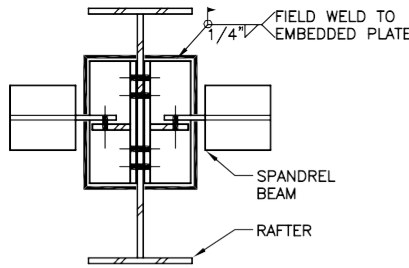
**LOAD BEARING PRE-CAST/TILT-UP DETAIL**

SCULPTURED HIGH EAVE, SPANDREL JOIST, CFR BY NBS (NON-DIAPHRAGM)  
REFER TO THE CFR ERECTION MANUAL FOR INSTALLATION INSTRUCTIONS

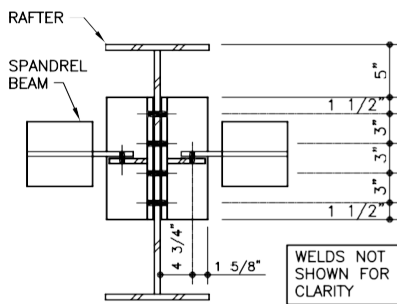
**KD6010**



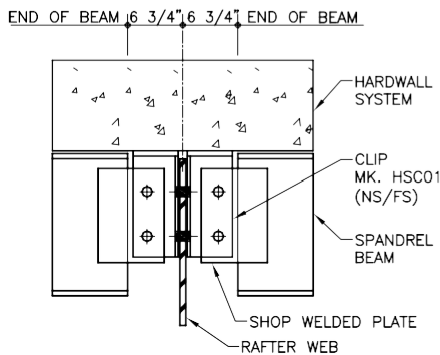
**KD6020 – JOISTS, CFR, BU STRUT (NON-DIAPHRAGM)**



**SECTION A – WELD DETAIL**  
SEE DETAIL BELOW FOR DIMENSIONS

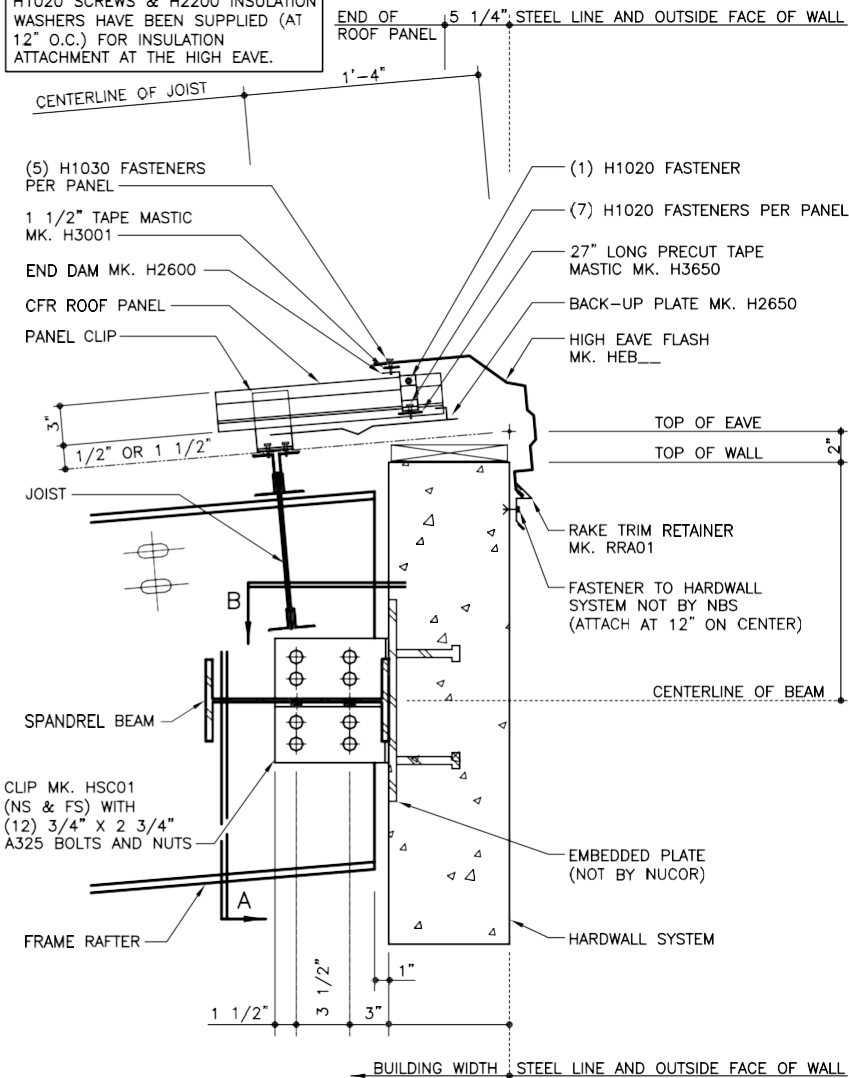


**TYPICAL DIMENSIONS**  
SEE SECTION-A ABOVE FOR WELDS



**SECTION B – BEAM DETAIL**  
RAFTER FLANGES NOT SHOWN FOR CLARITY

**ERECTOR NOTE:**  
H1020 SCREWS & H2200 INSULATION WASHERS HAVE BEEN SUPPLIED (AT 12" O.C.) FOR INSULATION ATTACHMENT AT THE HIGH EAVE.

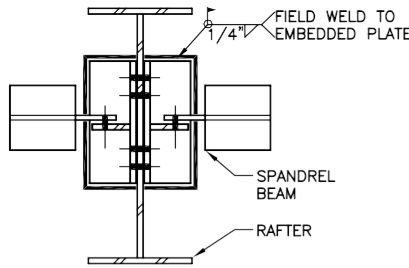


**LOAD BEARING PRE-CAST/TILT-UP DETAIL**

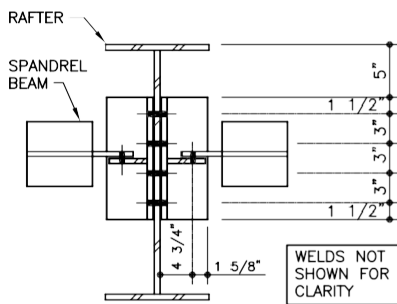
SCULPTURED HIGH EAVE, SPANDREL BEAM, CFR BY NBS (NON-DIAPHRAGM)  
REFER TO THE CFR ERECTION MANUAL FOR INSTALLATION INSTRUCTIONS

**KD6020**

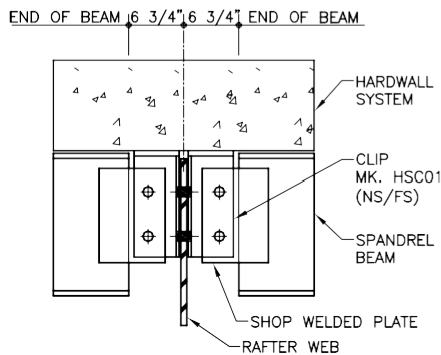
**KD6040 – PURLINS, CFR, BU STRUT (NON-DIAPHRAGM)**



**SECTION A – WELD DETAIL**  
SEE DETAIL BELOW FOR DIMENSIONS



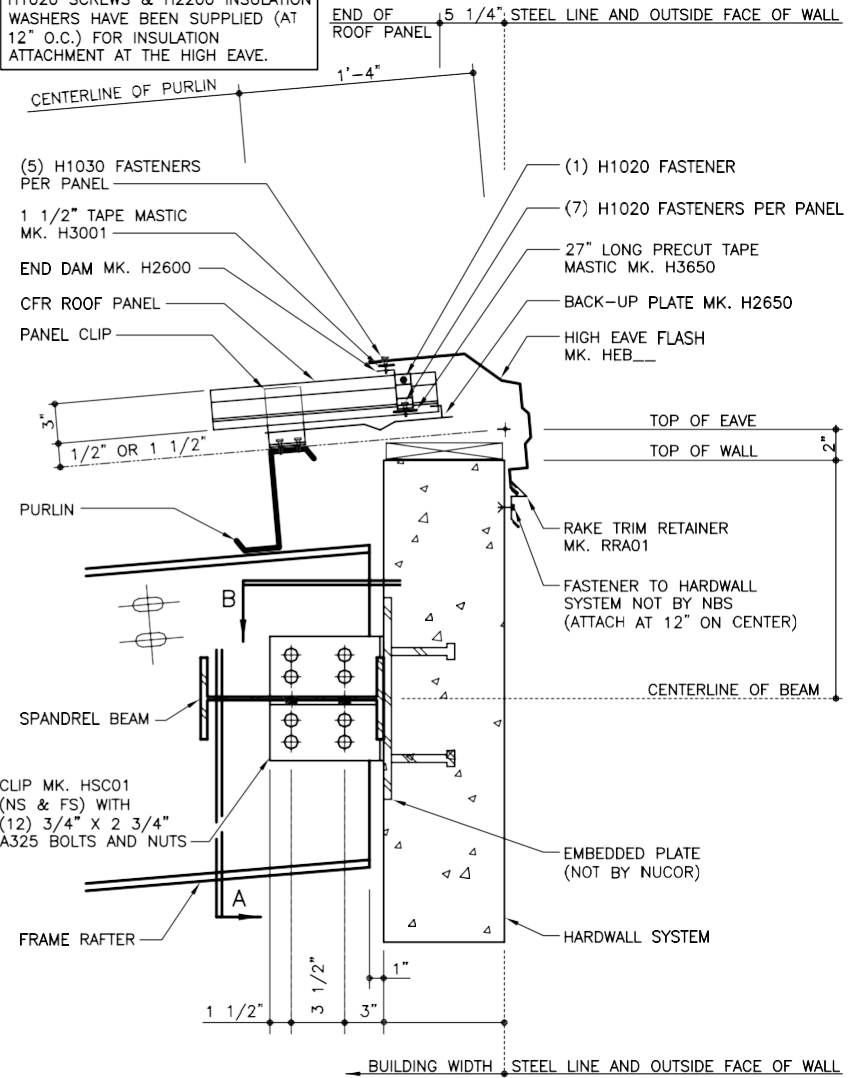
**TYPICAL DIMENSIONS**  
SEE SECTION-A ABOVE FOR WELDS



**SECTION B – BEAM DETAIL**  
RAFTER FLANGES NOT SHOWN FOR CLARITY

**ERECTOR NOTE:**

H1020 SCREWS & H2200 INSULATION WASHERS HAVE BEEN SUPPLIED (AT 12" O.C.) FOR INSULATION ATTACHMENT AT THE HIGH EAVE.



**LOAD BEARING PRE-CAST/TILT-UP DETAIL**

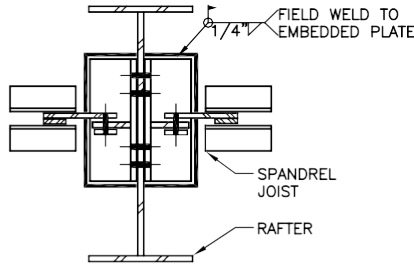
SCULPTURED HIGH EAVE, SPANDREL BEAM, CFR BY NBS (NON-DIAPHRAGM)  
REFER TO THE CFR ERECTION MANUAL FOR INSTALLATION INSTRUCTIONS

**KD6040**

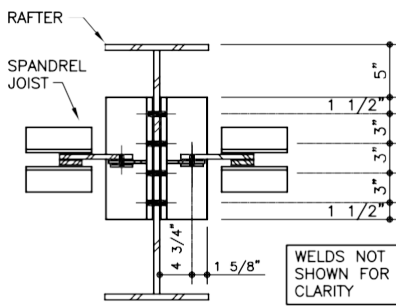




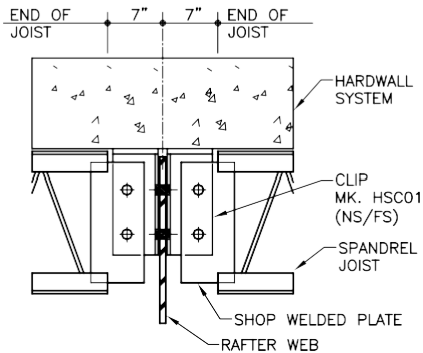
**KD6050 – JOISTS , ROOF NOT BY NBS, JOIST STRUT (NON-DIAPHRAGM)**



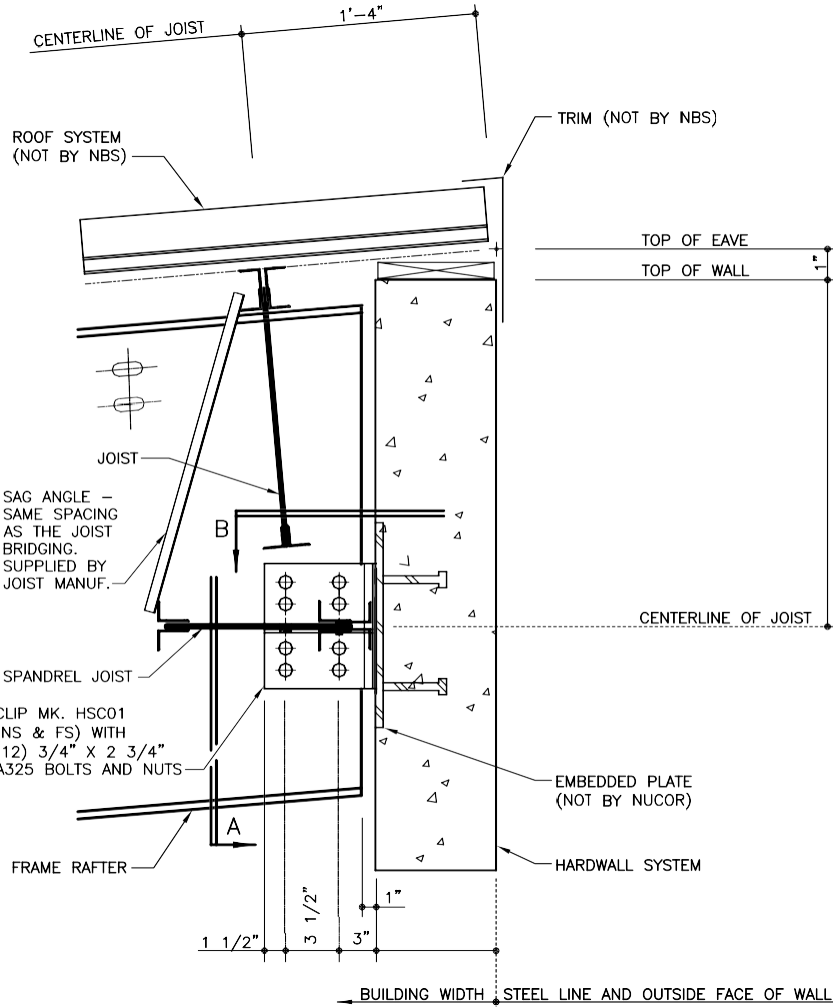
**SECTION A – WELD DETAIL**  
SEE DETAIL BELOW FOR DIMENSIONS



**TYPICAL DIMENSIONS**  
SEE SECTION-A ABOVE FOR WELDS



**SECTION B – JOIST DETAIL**  
RAFTER FLANGES NOT SHOWN FOR CLARITY



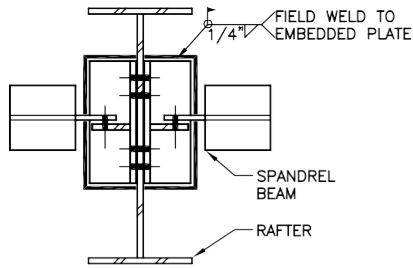
**LOAD BEARING PRE-CAST/TILT-UP DETAIL**

SCULPTURED HIGH EAVE, SPANDREL JOIST, ROOF NOT BY NBS (NON-DIAPHRAGM)  
REFER TO THE CFR ERECTION MANUAL FOR INSTALLATION INSTRUCTIONS

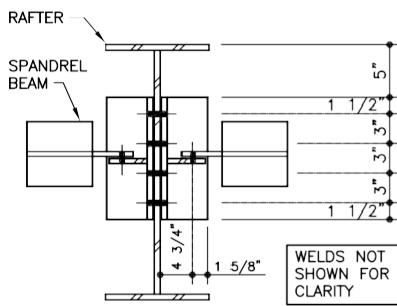
**KD6050**



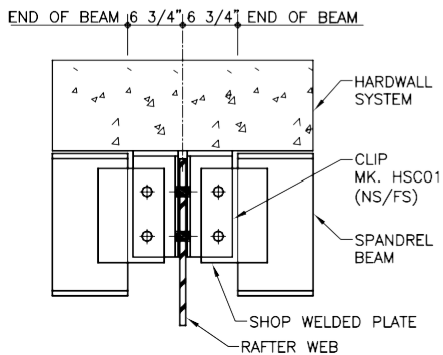
**KD6060 – JOISTS, ROOF NOT BY NBS, BU STRUT (NON-DIAPHRAGM)**



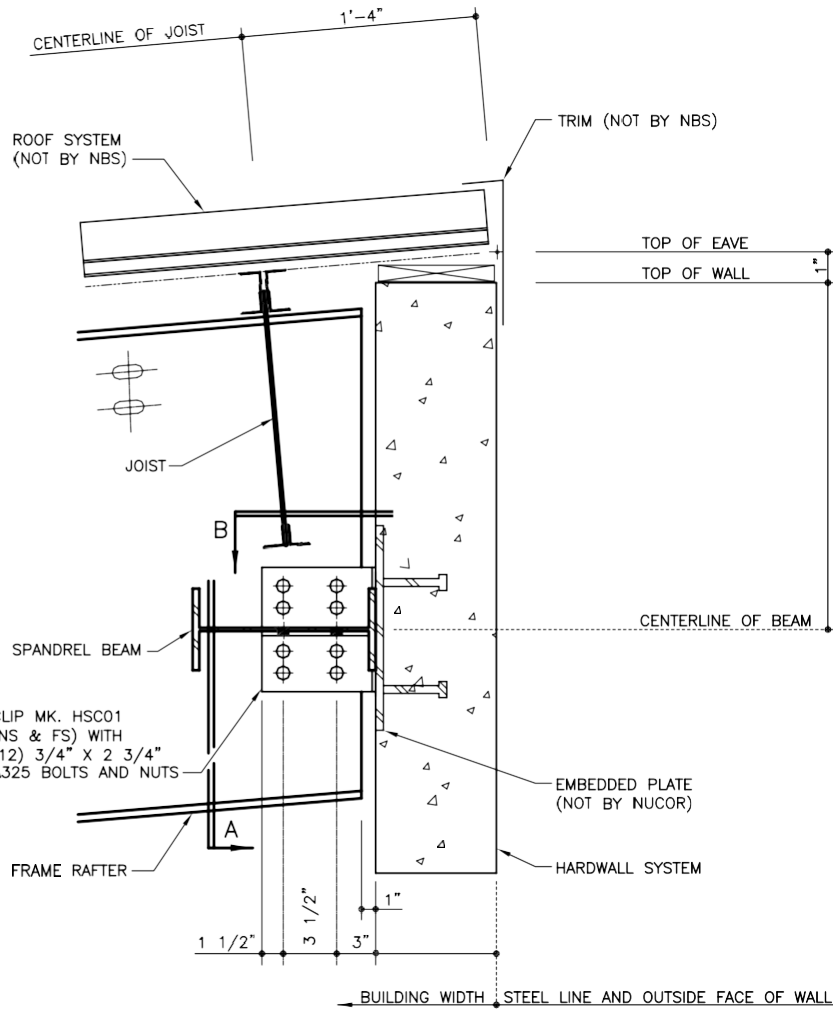
**SECTION A – WELD DETAIL**  
SEE DETAIL BELOW FOR DIMENSIONS



**TYPICAL DIMENSIONS**  
SEE SECTION-A ABOVE FOR WELDS



**SECTION B – BEAM DETAIL**  
RAFTER FLANGES NOT SHOWN FOR CLARITY

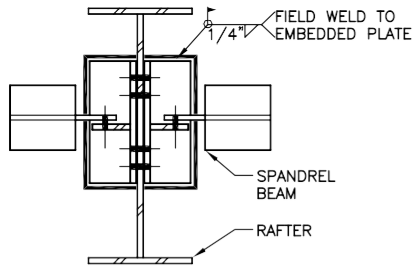


**LOAD BEARING PRE-CAST/TILT-UP DETAIL**

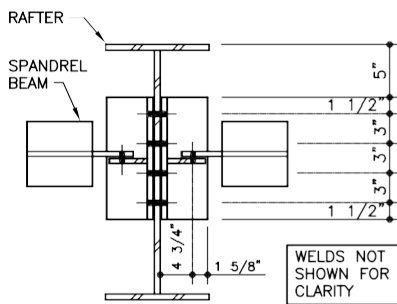
SCULPTURED HIGH EAVE, SPANDREL BEAM, ROOF NOT BY NBS (NON-DIAPHRAGM)  
REFER TO THE CFR ERECTION MANUAL FOR INSTALLATION INSTRUCTIONS

**KD6060**

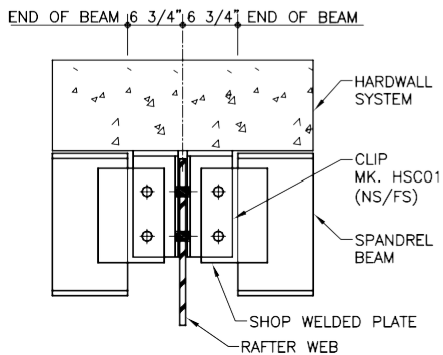
**KD6080 – PURLINS, ROOF NOT BY NBS, BU STRUT (NON-DIAPHRAGM)**



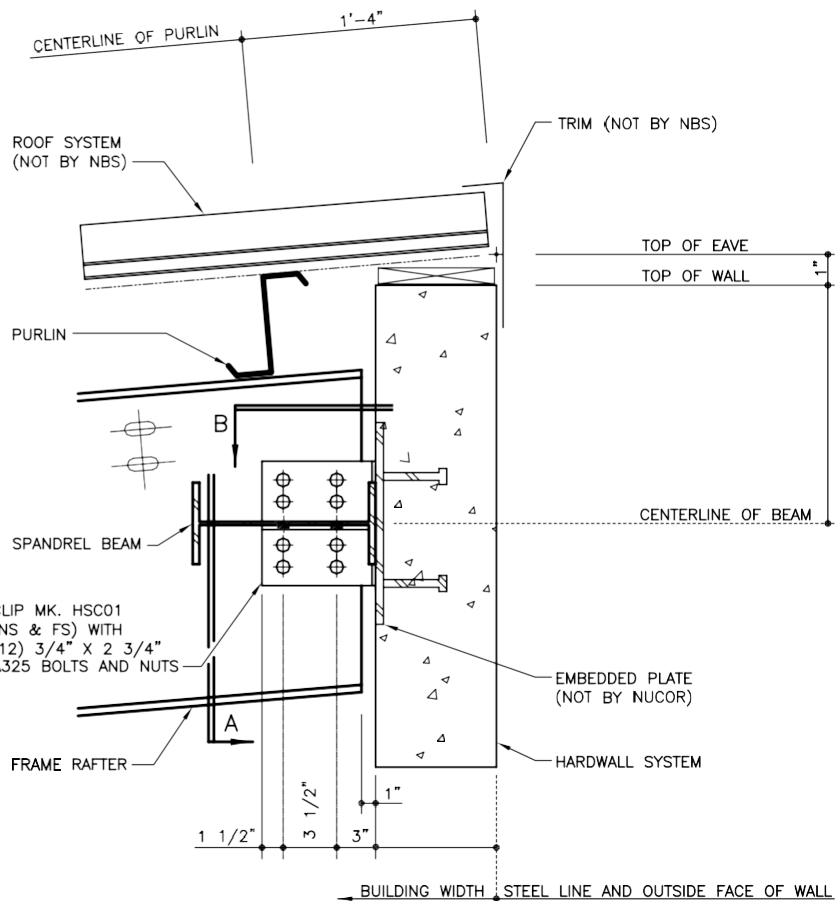
**SECTION A – WELD DETAIL**  
SEE DETAIL BELOW FOR DIMENSIONS



**TYPICAL DIMENSIONS**  
SEE SECTION-A ABOVE FOR WELDS



**SECTION B – BEAM DETAIL**  
RAFTER FLANGES NOT SHOWN FOR CLARITY

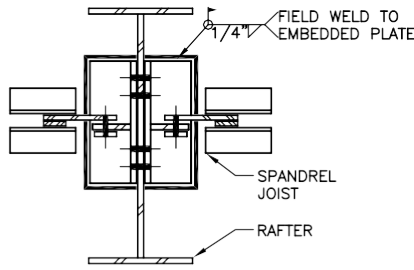


**LOAD BEARING PRE-CAST/TILT-UP DETAIL**

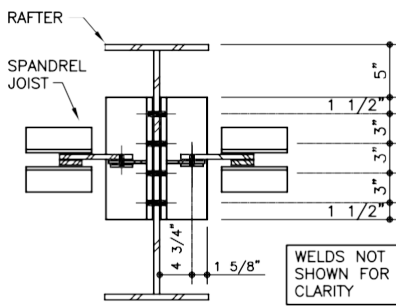
SCULPTURED HIGH EAVE, SPANDREL BEAM, ROOF NOT BY NBS (NON-DIAPHRAGM)  
REFER TO THE CFR ERECTION MANUAL FOR INSTALLATION INSTRUCTIONS

**KD6080**

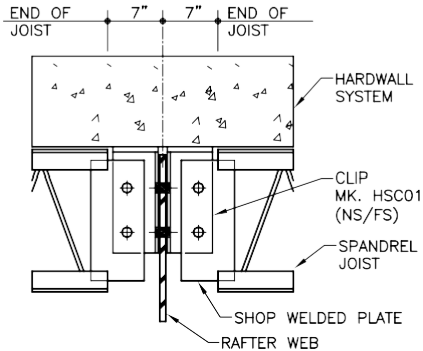
**KD6090 – JOISTS, ROOF NOT BY NBS, JOIST STRUT (WITH-DIAPHRAGM)**



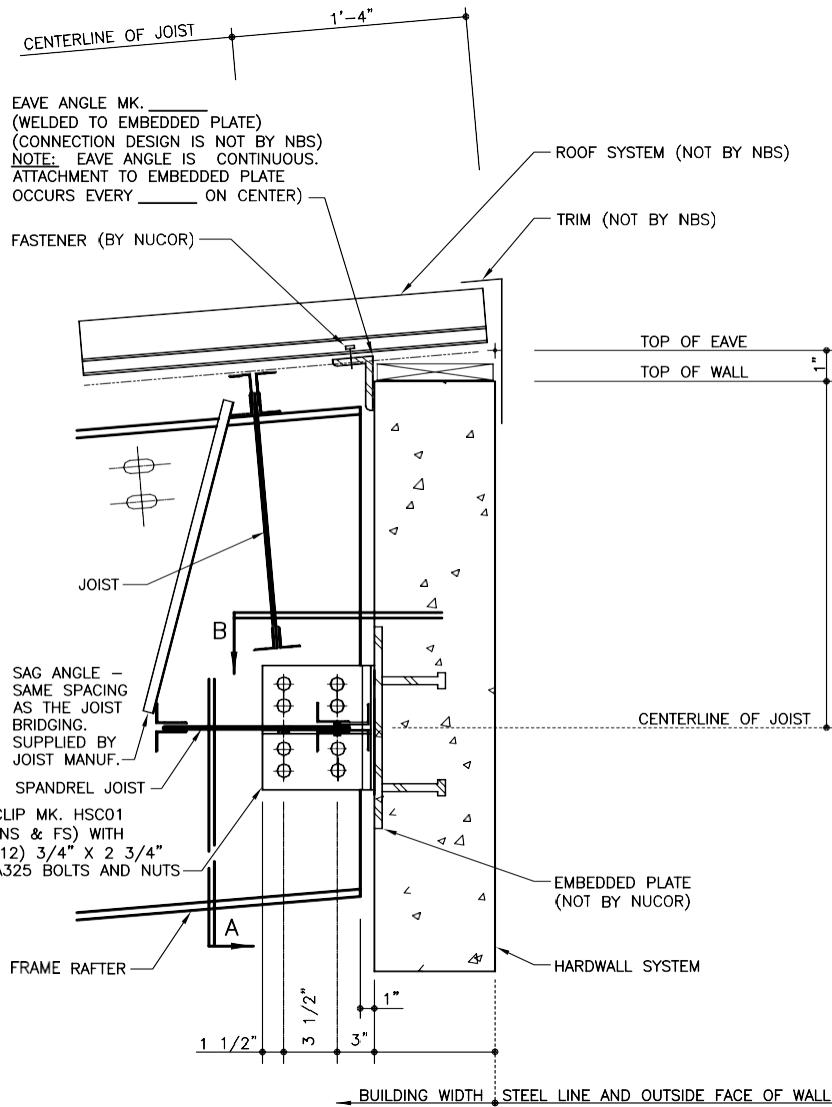
**SECTION A – WELD DETAIL**  
SEE DETAIL BELOW FOR DIMENSIONS



**TYPICAL DIMENSIONS**  
SEE SECTION-A ABOVE FOR WELDS



**SECTION B – JOIST DETAIL**  
RAFTER FLANGES NOT SHOWN FOR CLARITY

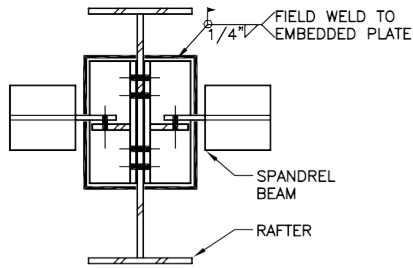


**LOAD BEARING PRE-CAST/TILT-UP DETAIL**

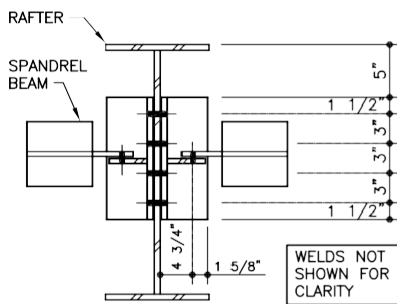
SCULPTURED HIGH EAVE, SPANDREL JOIST, ROOF NOT BY NBS (WITH-DIAPHRAGM)  
REFER TO THE CFR ERECTION MANUAL FOR INSTALLATION INSTRUCTIONS

**KD6090**

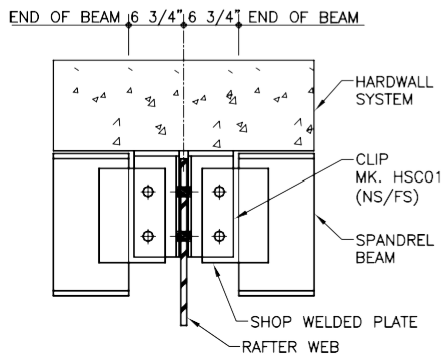
**KD6100 – JOISTS, ROOF NOT BY NBS, BU STRUT (WITH DIAPHRAGM)**



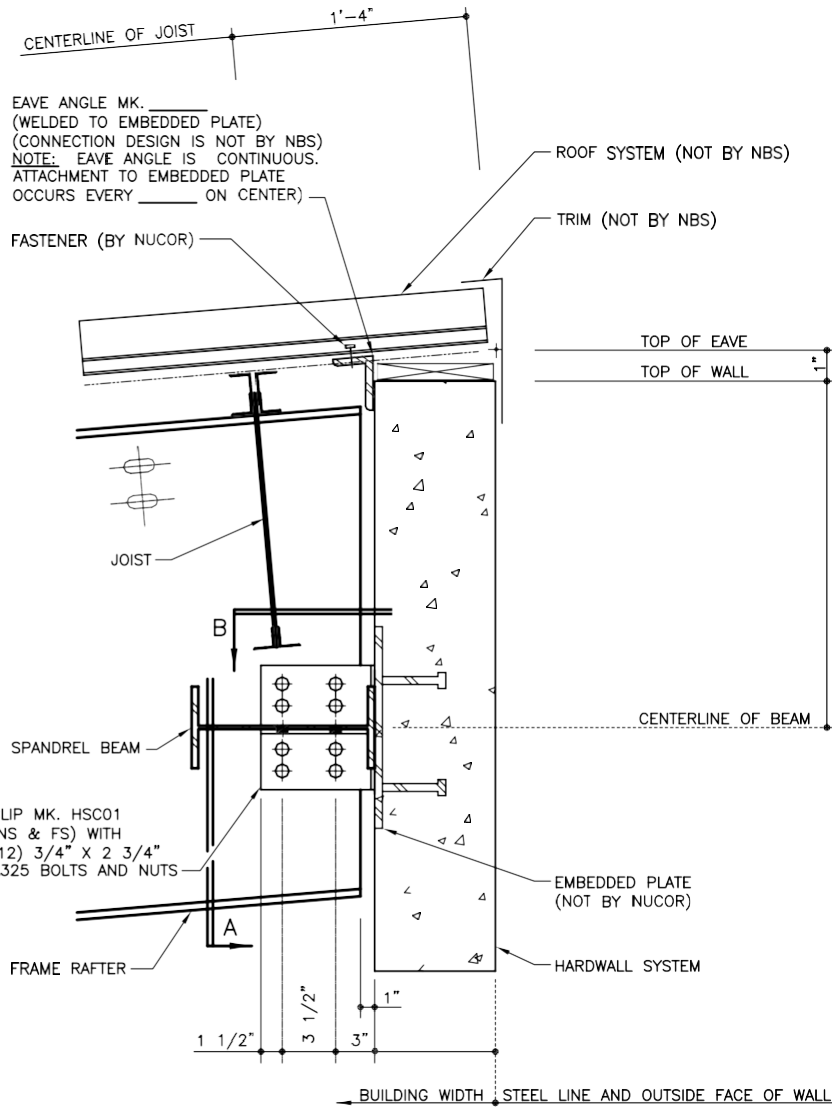
**SECTION A – WELD DETAIL**  
SEE DETAIL BELOW FOR DIMENSIONS



**TYPICAL DIMENSIONS**  
SEE SECTION-A ABOVE FOR WELDS



**SECTION B – BEAM DETAIL**  
RAFTER FLANGES NOT SHOWN FOR CLARITY

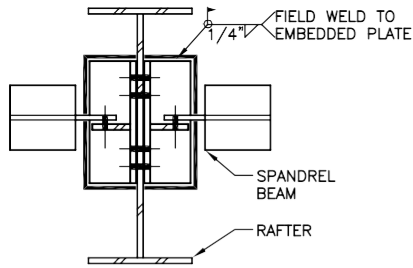


**LOAD BEARING PRE-CAST/TILT-UP DETAIL**

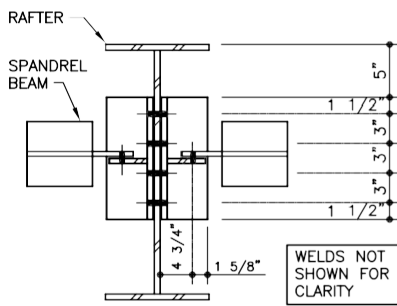
SCULPTURED HIGH EAVE, SPANDREL BEAM, ROOF NOT BY NBS (WITH-DIAPHRAGM)  
REFER TO THE CFR ERECTION MANUAL FOR INSTALLATION INSTRUCTIONS

**KD6100**

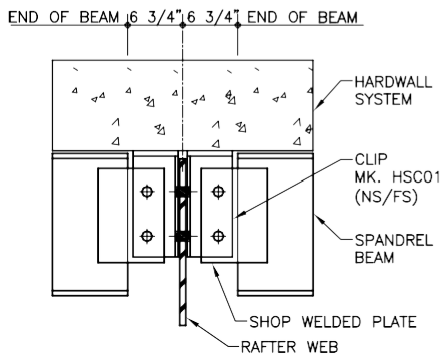
**KD6120 – PURLINS, ROOF NOT BY NBS, BU STRUT (WITH-DIAPHRAGM)**



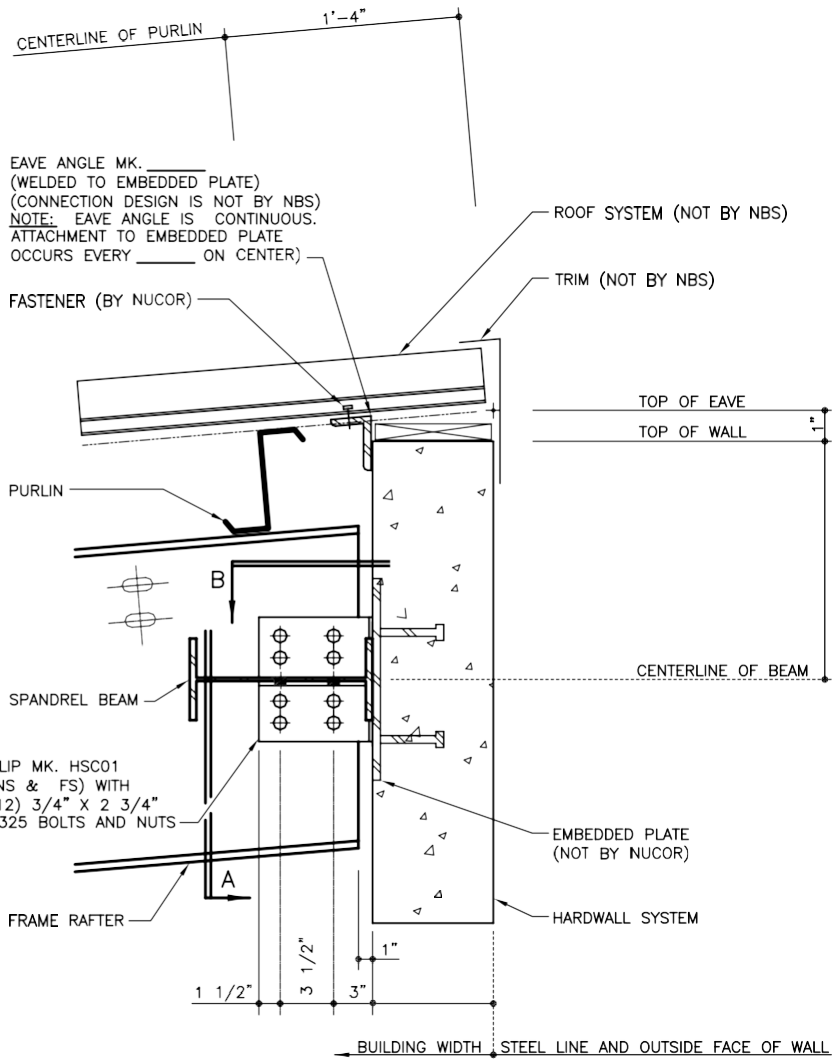
**SECTION A – WELD DETAIL**  
SEE DETAIL BELOW FOR DIMENSIONS



**TYPICAL DIMENSIONS**  
SEE SECTION-A ABOVE FOR WELDS



**SECTION B – BEAM DETAIL**  
RAFTER FLANGES NOT SHOWN FOR CLARITY



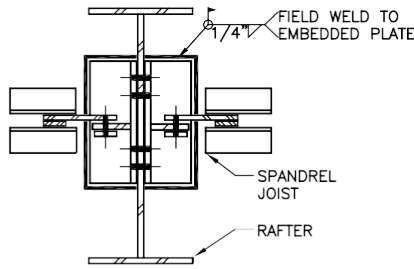
**LOAD BEARING PRE-CAST/TILT-UP DETAIL**

SCULPTURED HIGH EAVE, SPANDREL BEAM, ROOF NOT BY NBS (WITH-DIAPHRAGM)  
REFER TO THE CFR ERECTION MANUAL FOR INSTALLATION INSTRUCTIONS

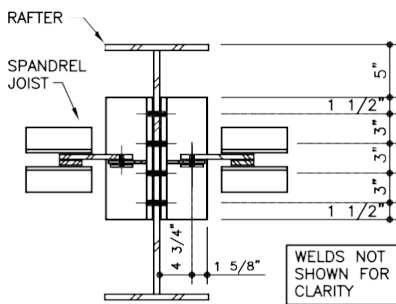
**KD6120**

**E: HIGH EAVE PARAPET CONDITIONS**

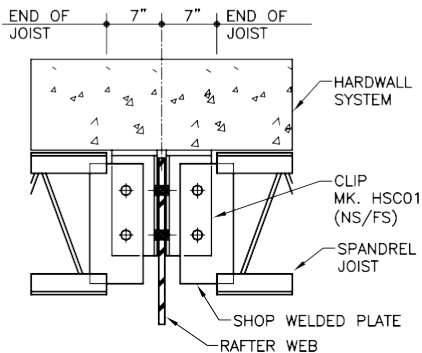
**KE6010 – (4) JOISTS, CFR, JOIST STRUT (NON-DIAPHRAGM)**



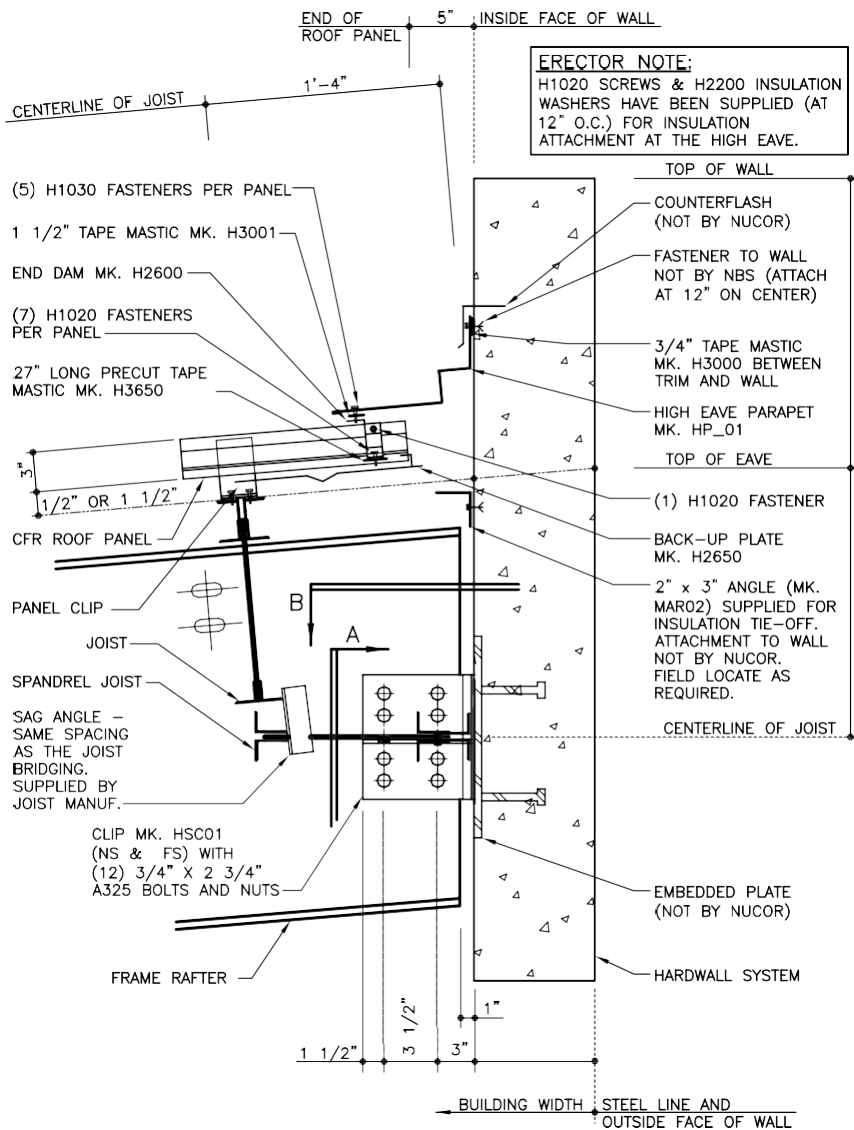
**SECTION A – WELD DETAIL**  
SEE DETAIL BELOW FOR DIMENSIONS



**TYPICAL DIMENSIONS**  
SEE SECTION-A ABOVE FOR WELDS



**SECTION B – JOIST DETAIL**  
RAFTER FLANGES NOT SHOWN FOR CLARITY



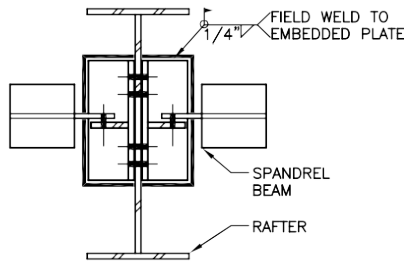
**LOAD BEARING PRE-CAST/TILT-UP DETAIL**

PARAPET HIGH EAVE, SPANDREL JOIST, CFR BY NBS (NON-DIAPHRAGM)  
REFER TO THE CFR ERECTION MANUAL FOR INSTALLATION INSTRUCTIONS

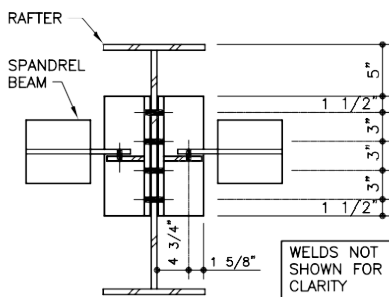
**KE6010**



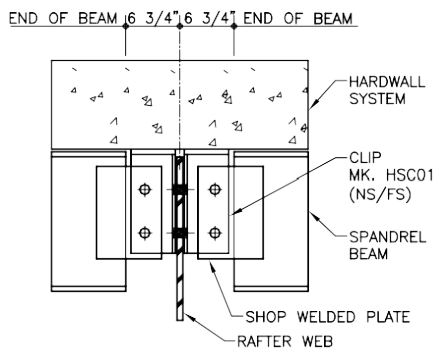
**KE6020 – (4) JOISTS, CFR, BU STRUT (NON-DIAPHRAGM)**



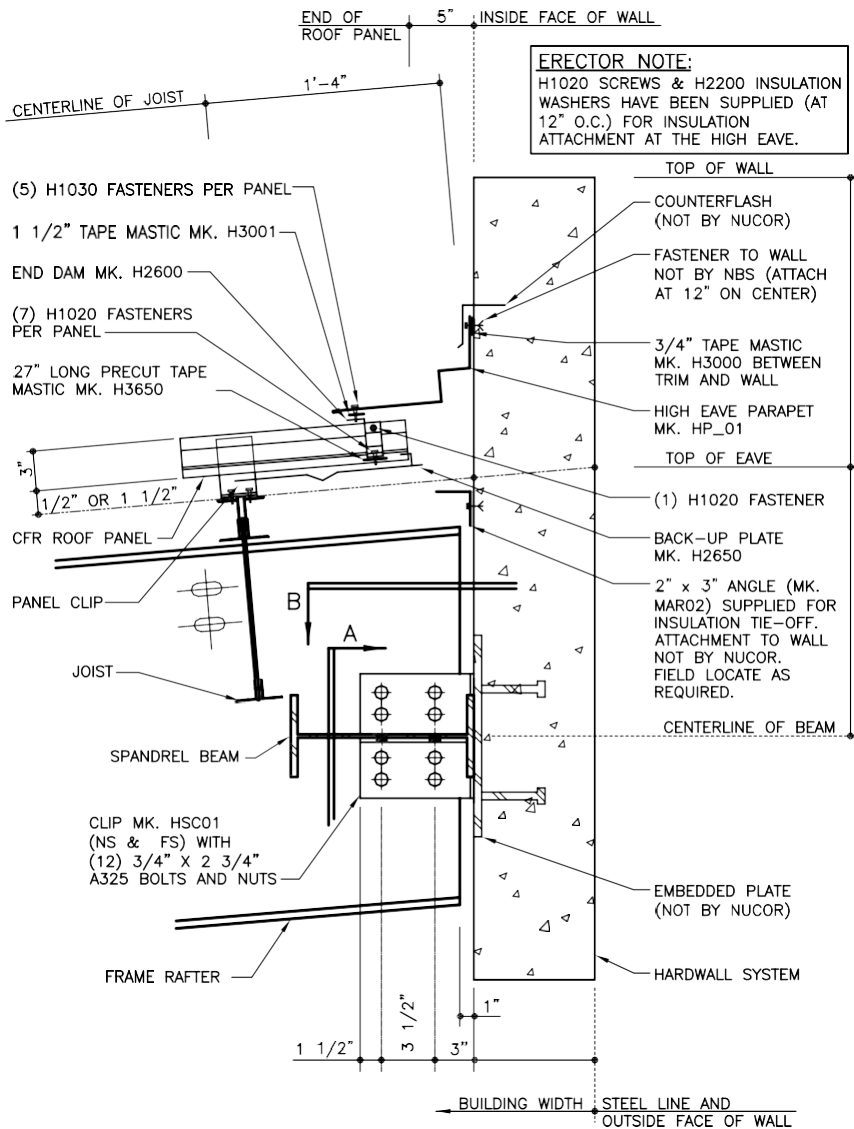
**SECTION A – WELD DETAIL**  
SEE DETAIL BELOW FOR DIMENSIONS



**TYPICAL DIMENSIONS**  
SEE SECTION-A ABOVE FOR WELDS



**SECTION B – BEAM DETAIL**  
RAFTER FLANGES NOT SHOWN FOR CLARITY



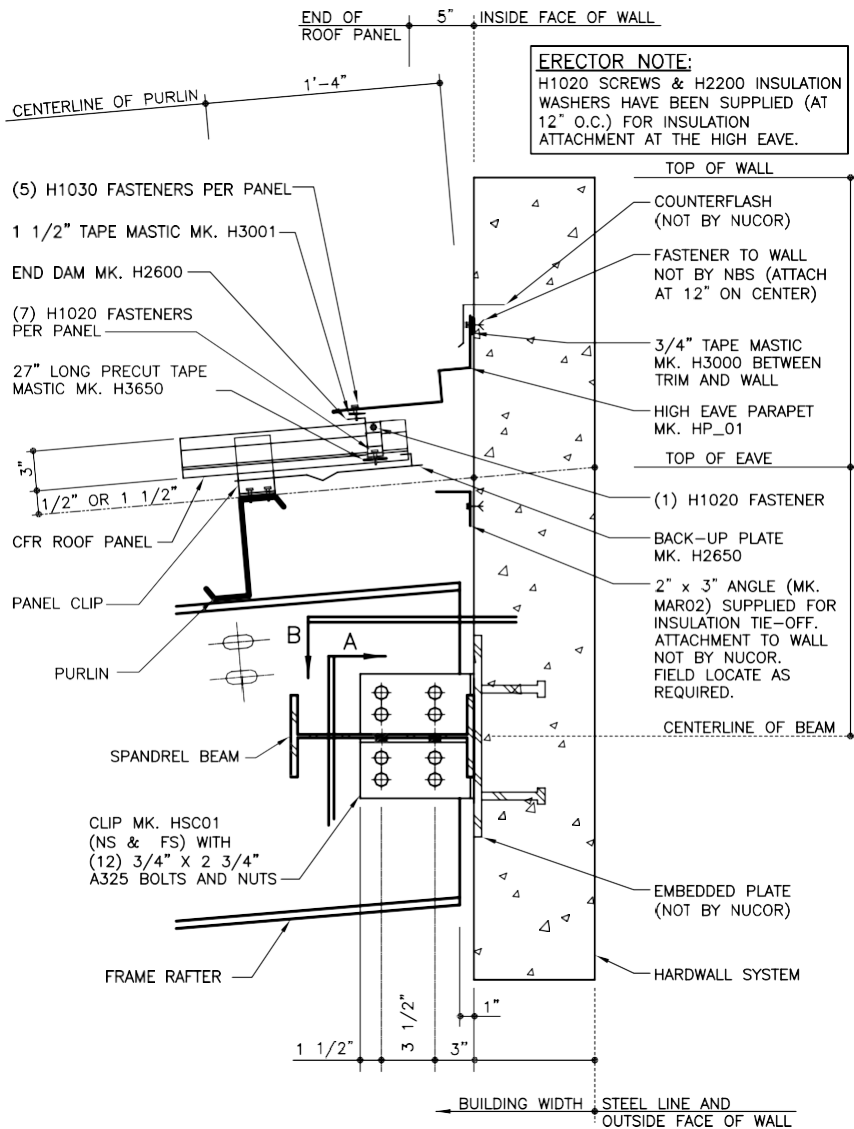
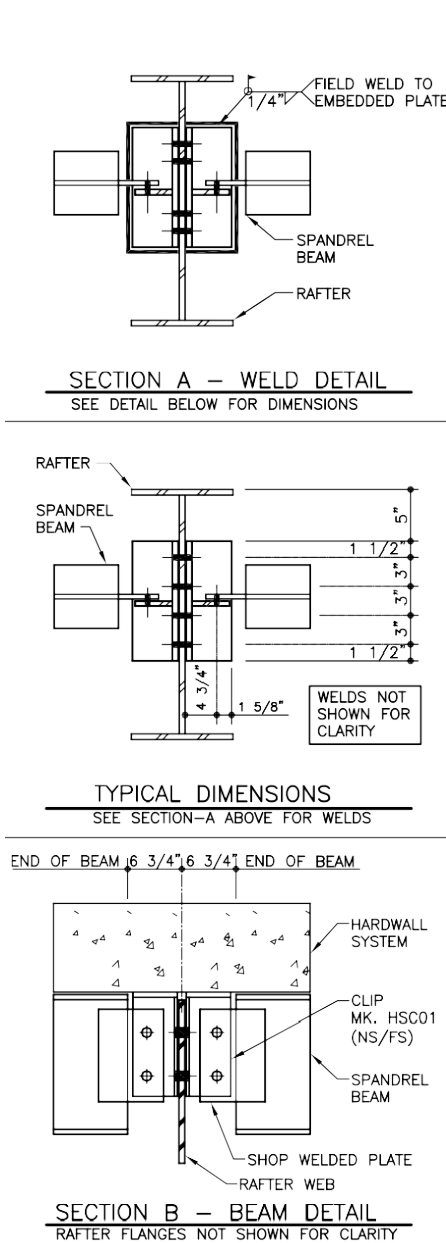
**LOAD BEARING PRE-CAST/TILT-UP DETAIL**

PARAPET HIGH EAVE, SPANDREL BEAM, CFR BY NBS (NON-DIAPHRAGM)  
REFER TO THE CFR ERECTION MANUAL FOR INSTALLATION INSTRUCTIONS

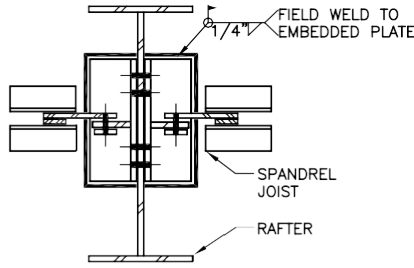
**KE6020**



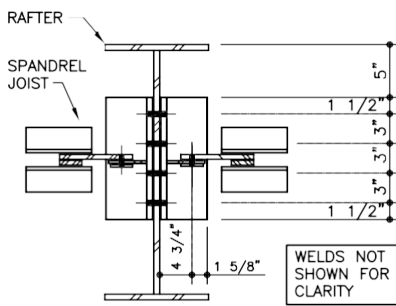
**KE6040 – (4) PURLINS, CFR, BU STRUT (NON-DIAPHRAGM)**



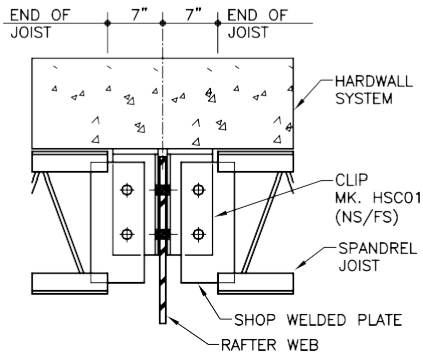
**KE6050 – (4) JOISTS , ROOF NOT BY NBS, JOIST STRUT (NON-DIAPHRAGM)**



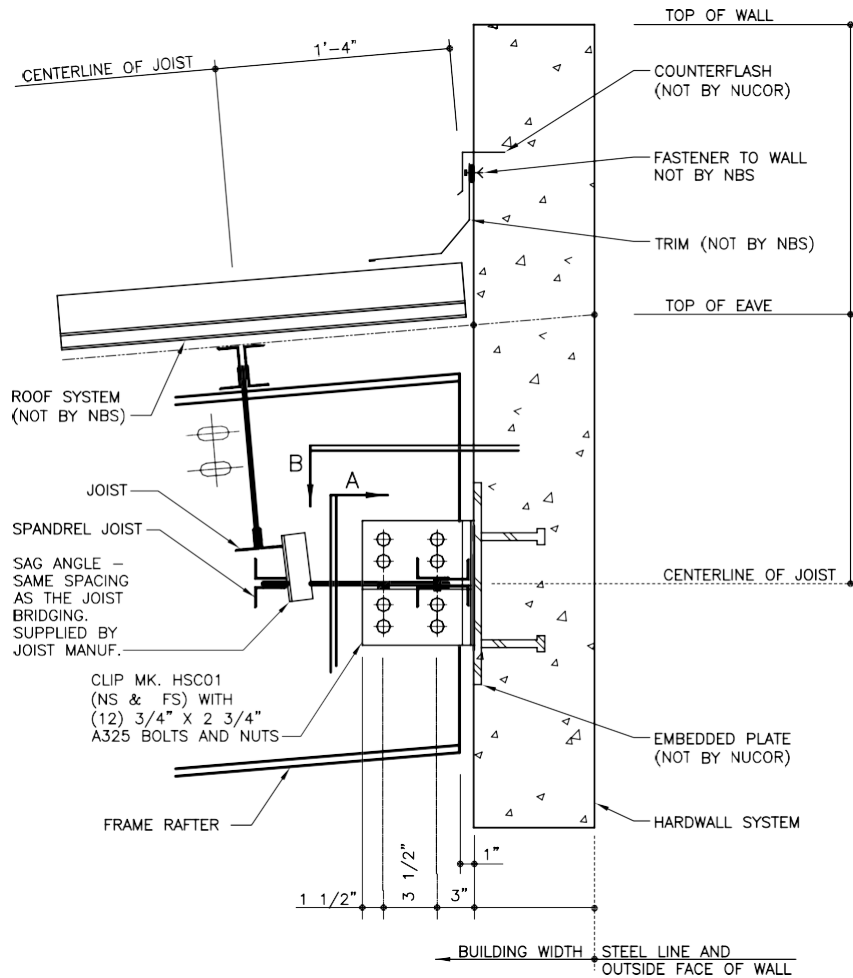
**SECTION A – WELD DETAIL**  
SEE DETAIL BELOW FOR DIMENSIONS



**TYPICAL DIMENSIONS**  
SEE SECTION-A ABOVE FOR WELDS



**SECTION B – JOIST DETAIL**  
RAFTER FLANGES NOT SHOWN FOR CLARITY

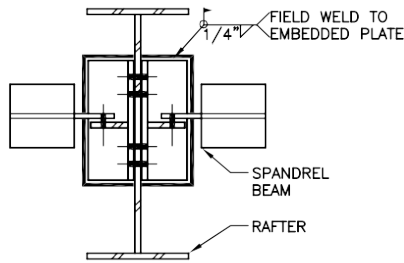


**LOAD BEARING PRE-CAST/TILT-UP DETAIL**

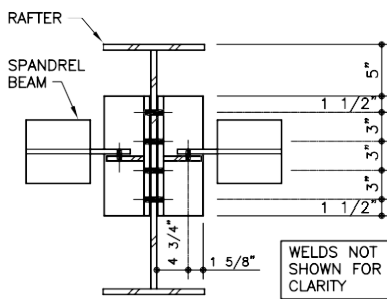
PARAPET HIGH EAVE, SPANDREL JOIST, ROOF NOT BY NBS (NON-DIAPHRAGM)  
REFER TO THE CFR ERECTION MANUAL FOR INSTALLATION INSTRUCTIONS

**KE6050**

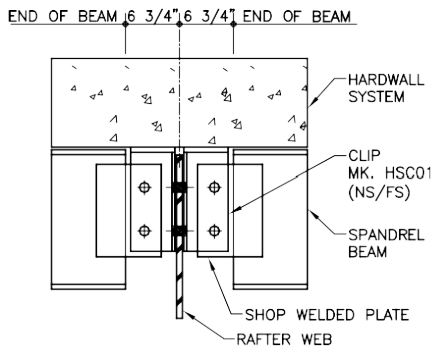
**KE6060 – (4) JOISTS, ROOF NOT BY NBS, BU STRUT (NON-DIAPHRAGM)**



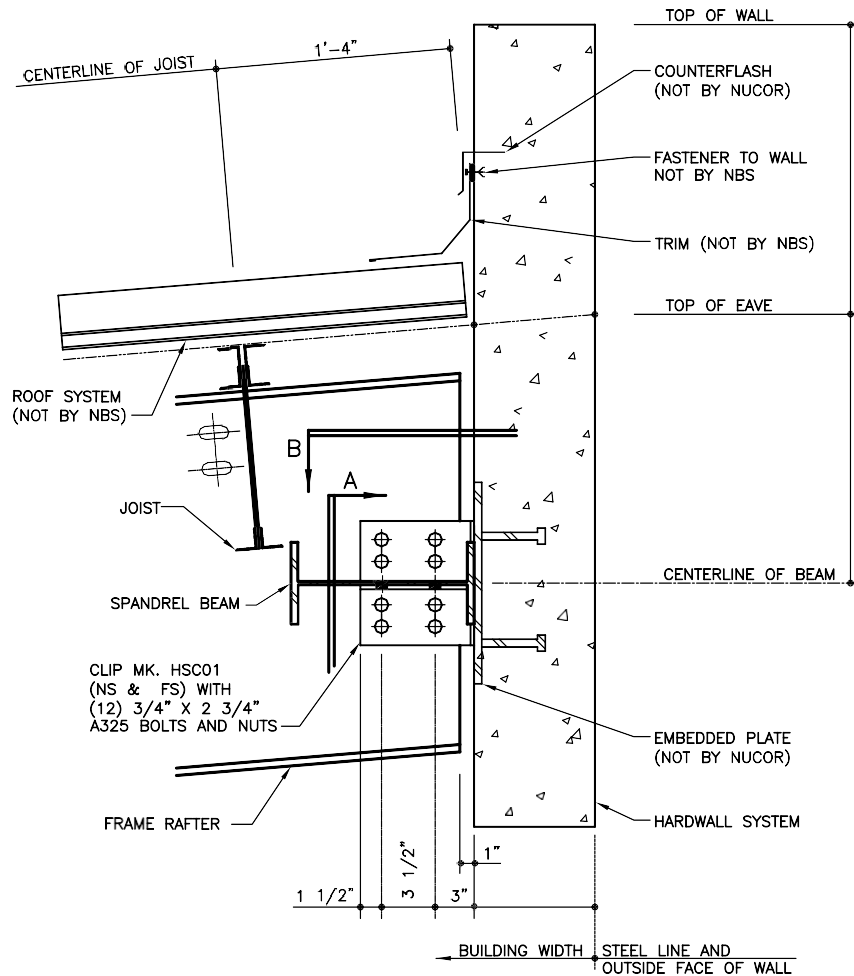
**SECTION A – WELD DETAIL**  
SEE DETAIL BELOW FOR DIMENSIONS



**TYPICAL DIMENSIONS**  
SEE SECTION-A ABOVE FOR WELDS



**SECTION B – BEAM DETAIL**  
RAFTER FLANGES NOT SHOWN FOR CLARITY

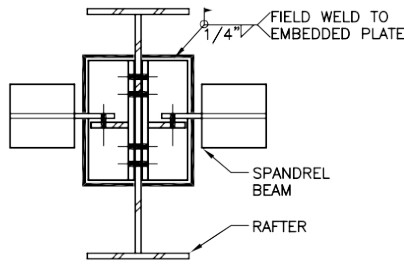


**LOAD BEARING PRE-CAST/TILT-UP DETAIL**

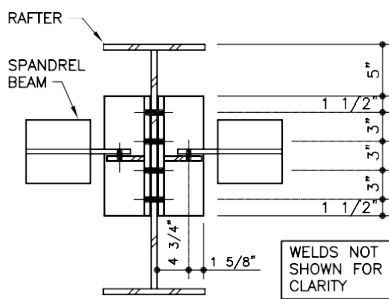
PARAPET HIGH EAVE, SPANDREL BEAM, ROOF NOT BY NBS (NON-DIAPHRAGM)  
REFER TO THE CFR ERECTION MANUAL FOR INSTALLATION INSTRUCTIONS

**KE6060**

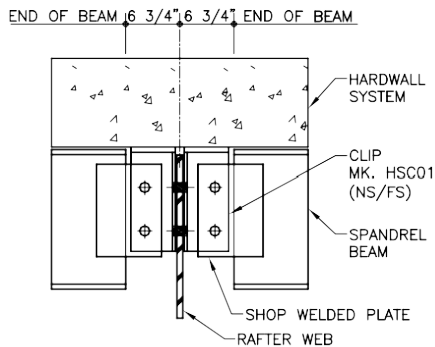
**KE6080 – (4) PURLINS, ROOF NOT BY NBS, BU STRUT (NON-DIAPHRAGM)**



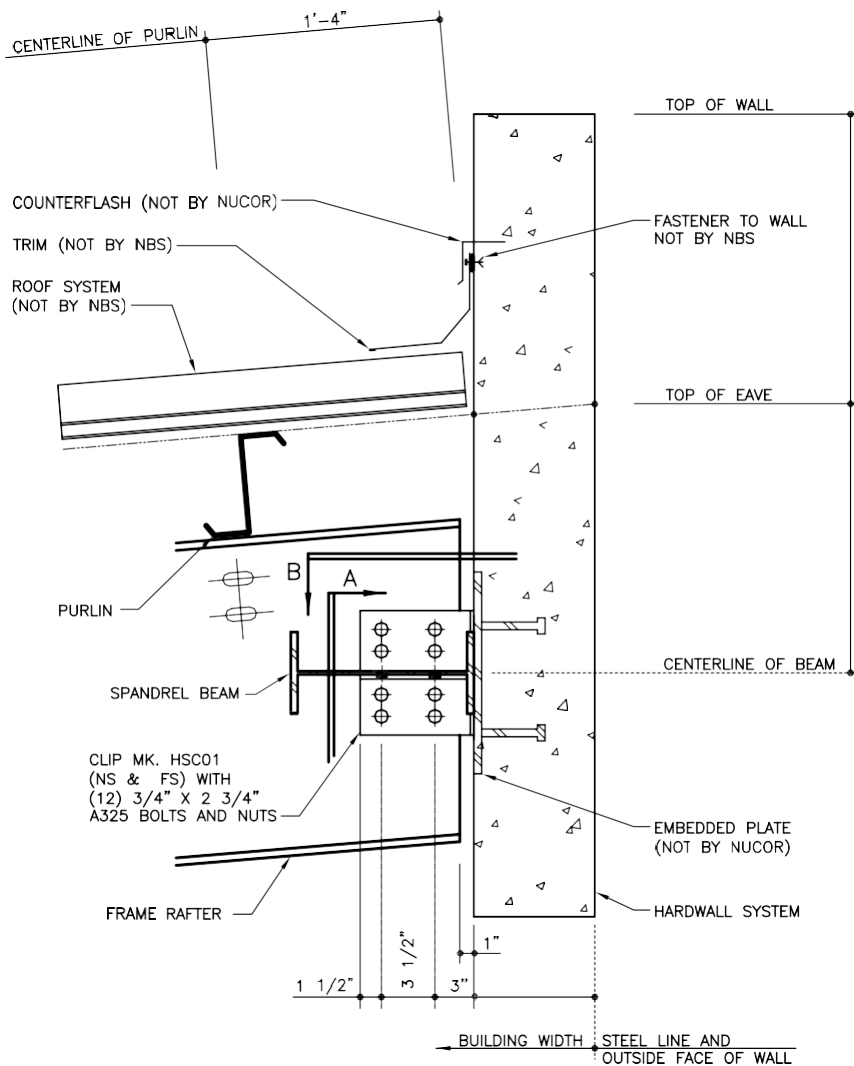
**SECTION A – WELD DETAIL**  
SEE DETAIL BELOW FOR DIMENSIONS



**TYPICAL DIMENSIONS**  
SEE SECTION-A ABOVE FOR WELDS



**SECTION B – BEAM DETAIL**  
RAFTER FLANGES NOT SHOWN FOR CLARITY

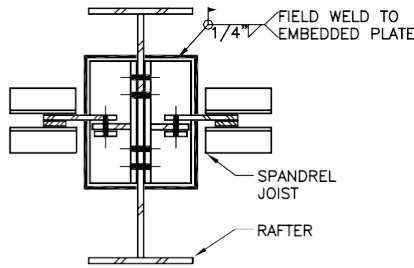


**LOAD BEARING PRE-CAST/TILT-UP DETAIL**

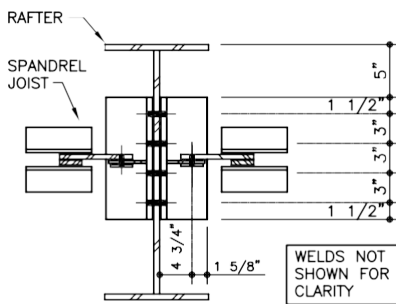
PARAPET HIGH EAVE, SPANDREL BEAM, ROOF NOT BY NBS (NON-DIAPHRAGM)  
REFER TO THE CFR ERECTION MANUAL FOR INSTALLATION INSTRUCTIONS

**KE6080**

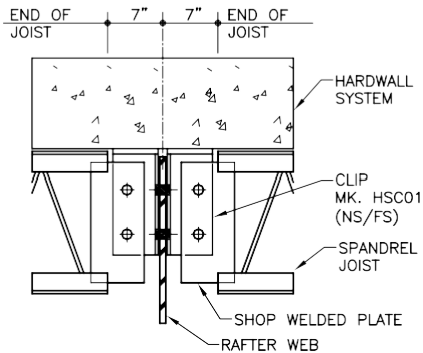
**KE6090 – (4) JOISTS, ROOF NOT BY NBS, JOIST STRUT (WITH-DIAPHRAGM)**



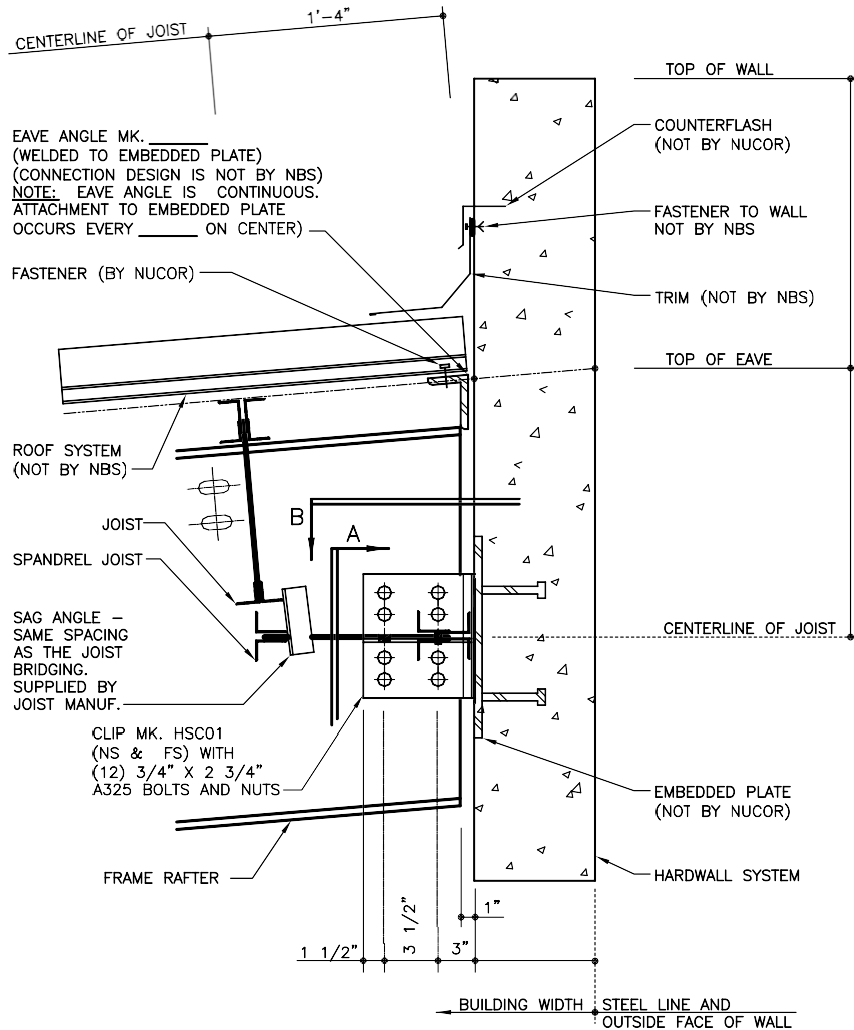
**SECTION A – WELD DETAIL**  
SEE DETAIL BELOW FOR DIMENSIONS



**TYPICAL DIMENSIONS**  
SEE SECTION-A ABOVE FOR WELDS



**SECTION B – JOIST DETAIL**  
RAFTER FLANGES NOT SHOWN FOR CLARITY

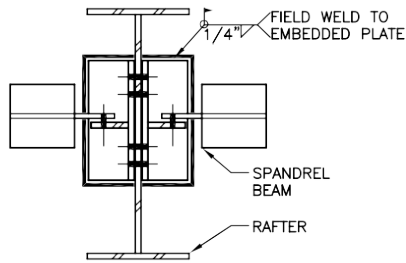


**LOAD BEARING PRE-CAST/TILT-UP DETAIL**

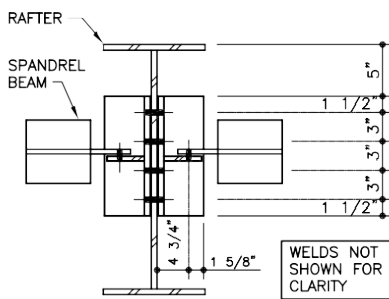
PARAPET HIGH EAVE, SPANDREL JOIST, ROOF NOT BY NBS (WITH-DIAPHRAGM)  
REFER TO THE CFR ERECTION MANUAL FOR INSTALLATION INSTRUCTIONS

**KE6090**

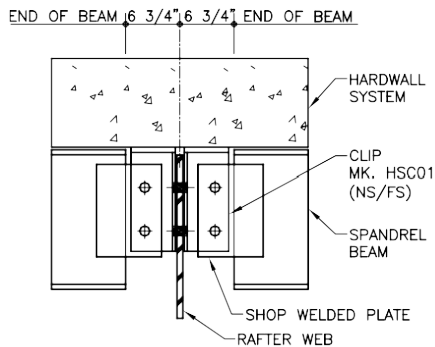
**KE6100 – (4) JOISTS, ROOF NOT BY NBS, BU STRUT (WITH DIAPHRAGM)**



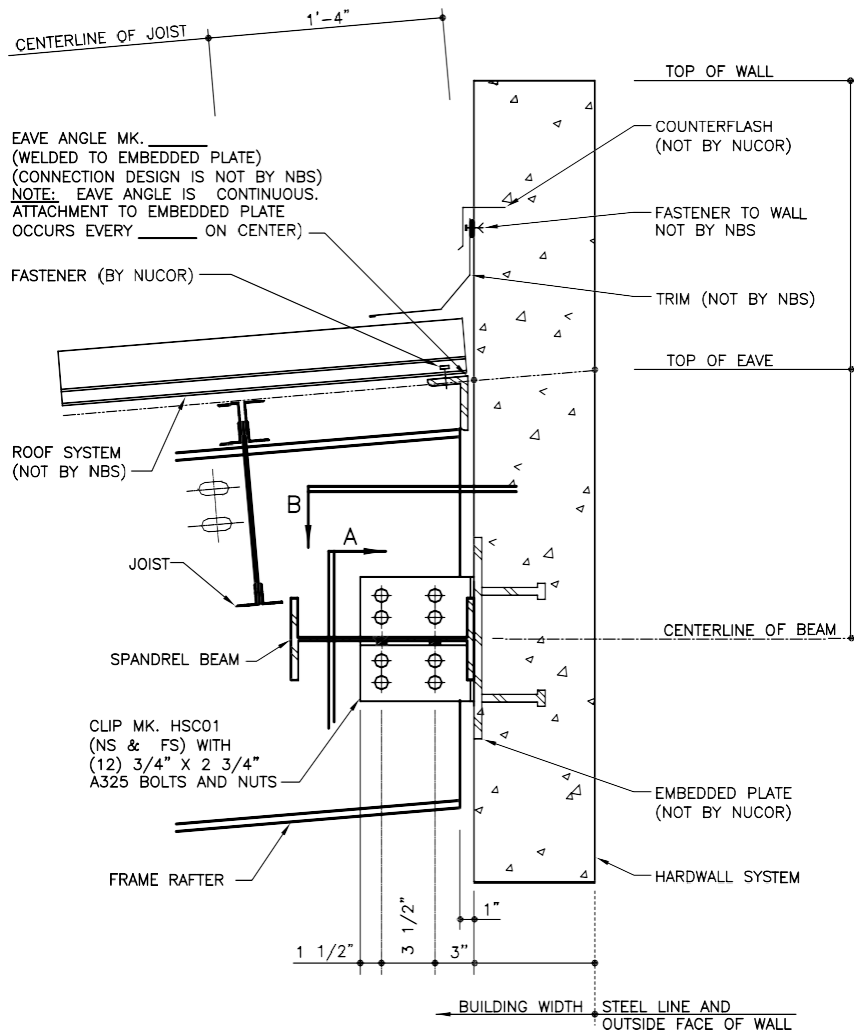
**SECTION A – WELD DETAIL**  
SEE DETAIL BELOW FOR DIMENSIONS



**TYPICAL DIMENSIONS**  
SEE SECTION-A ABOVE FOR WELDS



**SECTION B – BEAM DETAIL**  
RAFTER FLANGES NOT SHOWN FOR CLARITY

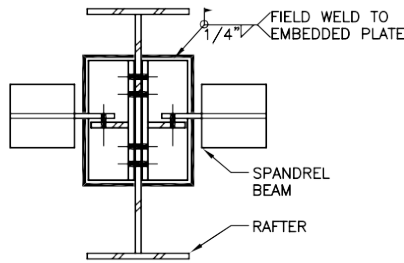


**LOAD BEARING PRE-CAST/TILT-UP DETAIL**

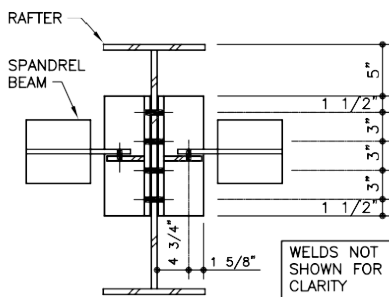
PARAPET HIGH EAVE, SPANDREL BEAM, ROOF NOT BY NBS (WITH-DIAPHRAGM)  
REFER TO THE CFR ERECTION MANUAL FOR INSTALLATION INSTRUCTIONS

**KE6100**

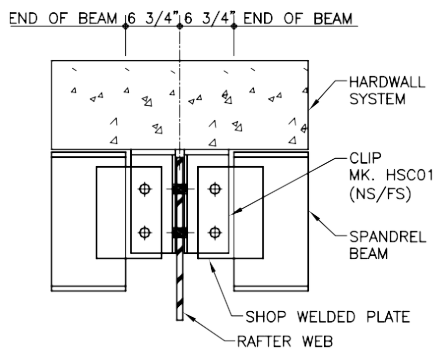
**KE6120 – (4) PURLINS, ROOF NOT BY NBS, BU STRUT (WITH-DIAPHRAGM)**



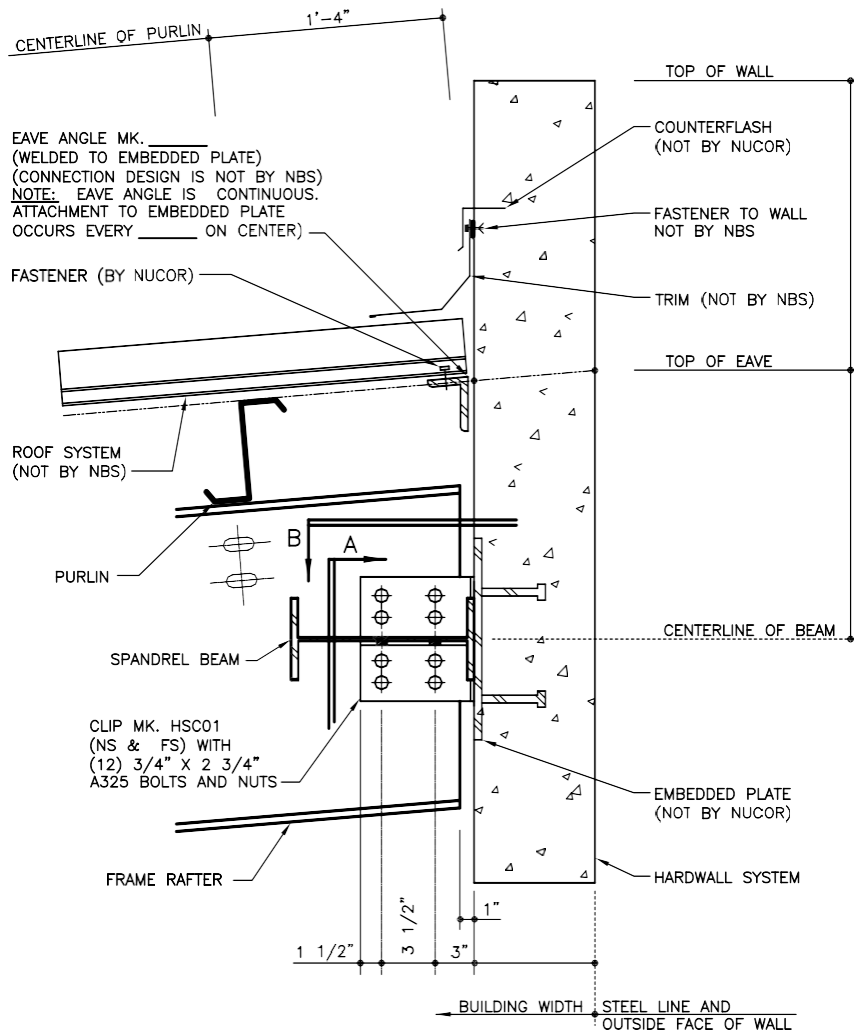
**SECTION A – WELD DETAIL**  
SEE DETAIL BELOW FOR DIMENSIONS



**TYPICAL DIMENSIONS**  
SEE SECTION-A ABOVE FOR WELDS



**SECTION B – BEAM DETAIL**  
RAFTER FLANGES NOT SHOWN FOR CLARITY



**LOAD BEARING PRE-CAST/TILT-UP DETAIL**

PARAPET HIGH EAVE, SPANDREL BEAM, ROOF NOT BY NBS (WITH-DIAPHRAGM)  
REFER TO THE CFR ERECTION MANUAL FOR INSTALLATION INSTRUCTIONS

**KE6120**